

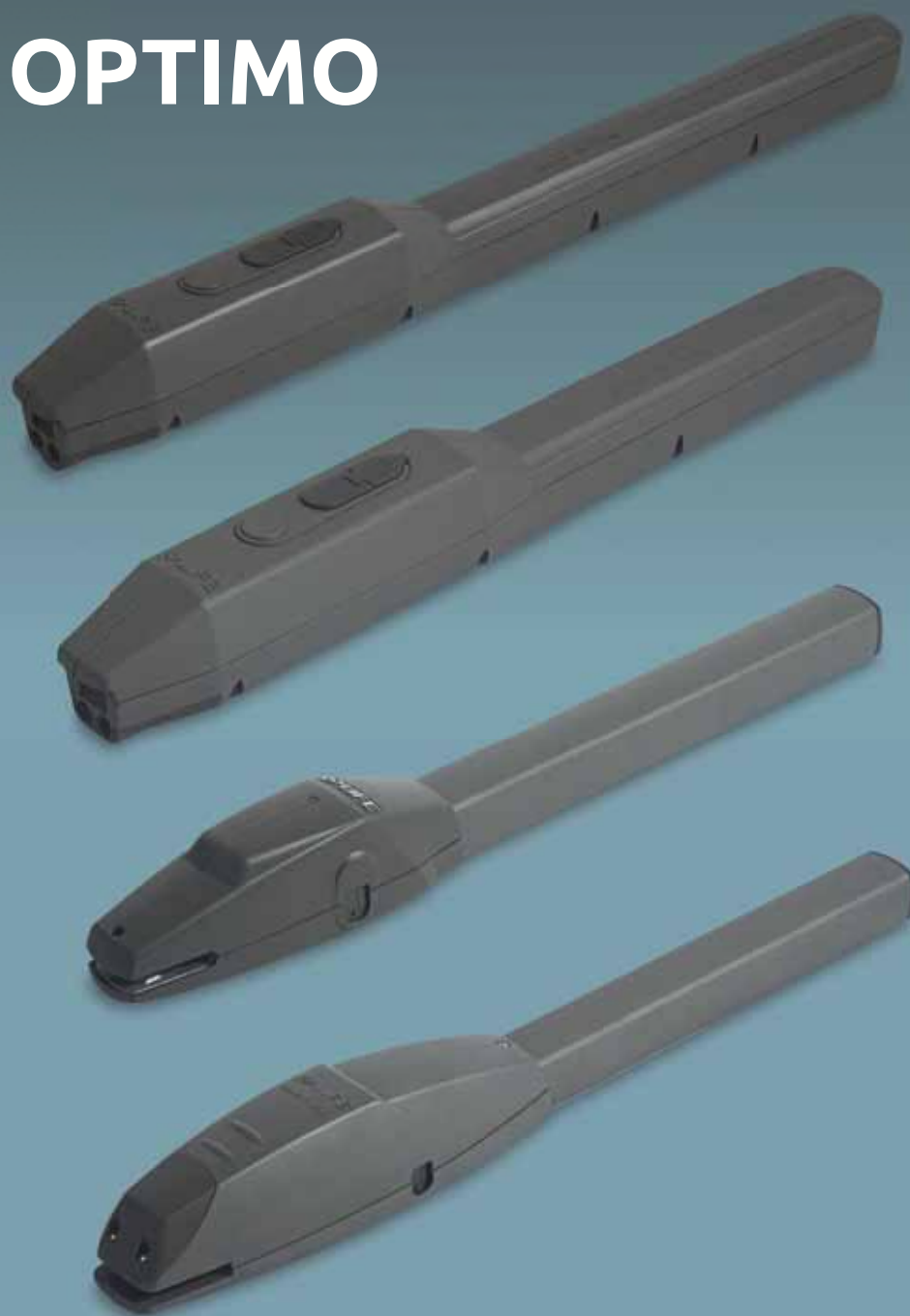
AUTOMATIONS FOR SWING GATES

**OPTIMO
ARMOR
SINUO
ERGO**

SAMT®
Garage & Gate Automation



OPTIMO



A PERFECT SOLUTION FOR EVERY SITUATION



Life offers a wide range of automations for swing gates with excellent mechanical performance ratings that place them among the best in the market. The Optimo series has a stylish appearance that is perfect for any installation. It is extremely sturdy thanks to the use of integral aluminium shells. Choose Optimo if you need a versatile automation.

- Available in two versions: 230V and 24V.
- Release mechanism protected against water and foreign bodies.
- Quick, easy and safe release action.
- Motor body coated with polyester paints specially made for outdoor use.

Enjoy
every
movement.

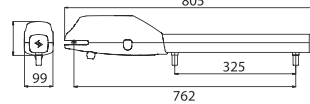
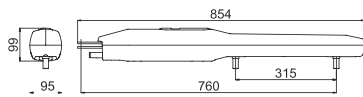
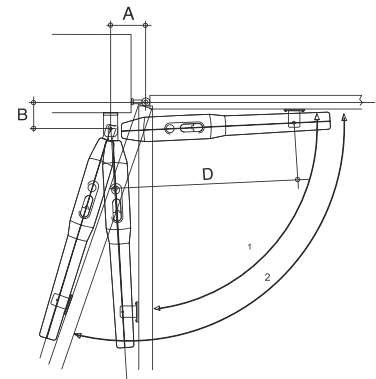
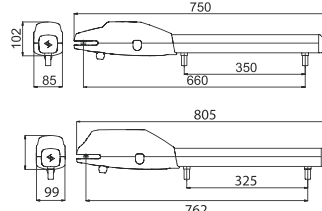
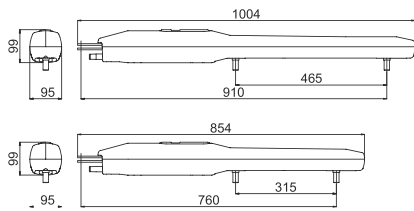
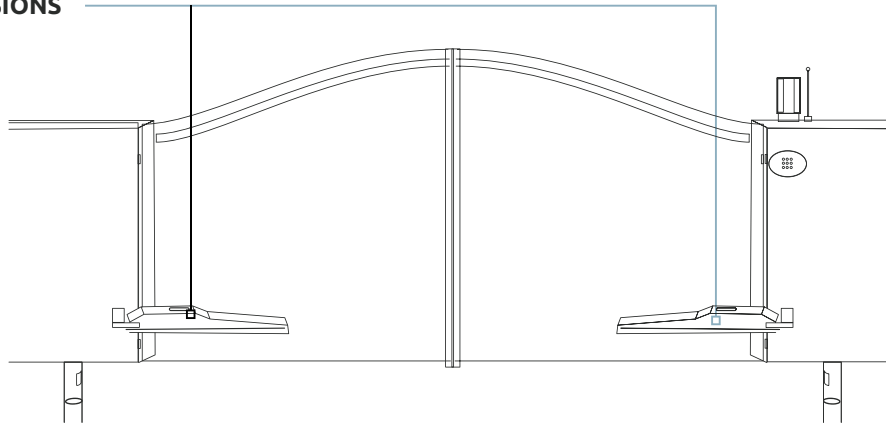




OPTIMO



DIMENSIONS



| Ω | OP2 24 UNI | | | OP SL UNI | | | OP3 - OP3L - OP3 UNI OP3L UNI - OP3 24 - OP3 24 UNI | | | OP5 - OP5L - OP5 UNI OP5L UNI - OP5 24 - OP5 24 UNI | | |
|----------------------|------------|----------|----------|-----------|----------|----------|--|----------|----------|--|----------|----------|
| | A max mm | B max mm | D max mm | A max mm | B max mm | D max mm | A max mm | B max mm | D max mm | A max mm | B max mm | D max mm |
| $\Omega 1=90^\circ$ | 160 | 160 | 640 | 160 | 160 | 720 | 140 | 140 | 755 | 210 | 210 | 905 |
| $\Omega 1=120^\circ$ | 130 | 120 | 640 | 145 | 120 | 720 | 140 | 100 | 755 | 210 | 120 | 905 |

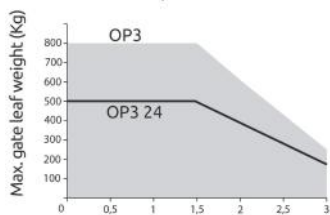
| Code | Leaf | Motor | Description |
|-------------------------|--------|-------------------------|---|
| OP2 24 UNI | 2.50 m | 24V DC Intensive Use | Model equipped with mechanical stop for opening and closing. |
| OP3 24 UNI | 3 m | 24V DC Intensive Use | Model equipped with opening and closing limit switches housed in an aluminium enclosure. Pre-wired 1m connector cables. |
| OP3 | 3 m | 230V AC | Quick model equipped with encoder opening and closing limit switches housed in an aluminium enclosure. Pre-wired 1m connector cables. Condenser supplied. |
| OP3 UNI | 3 m | 230V AC | Quick model equipped with mechanical stop for opening and closing. Pre-wired 1m connector cables. Condenser supplied. |
| OP3 UNI L | 3 m | 230V AC | Slow model equipped with mechanical stop for opening and closing. Pre-wired 1m connector cables. Condenser supplied. |
| OP5 24 UNI | 5 m | 24V DC Intensive Use | Model equipped with opening and closing limit switches housed in an aluminium enclosure. Pre-wired 1m connector cables. |
| OP5 | 5 m | 230V AC | Quick model equipped with encoder opening and closing limit switches housed in an aluminium enclosure. Pre-wired 1 m connector cables. Condenser supplied. |
| OP5 UNI | 5 m | 230V AC | Quick model equipped with mechanical stop for opening and closing. Pre-wired 1m connector cables. Condenser supplied. |
| OP5 UNI L | 5 m | 230V AC | Slow model equipped with mechanical stop for opening and closing. Pre-wired 1m connector cables. Condenser supplied. |
| OP3 SKY LINE UNI | 3 m | 230V AC | Model equipped with mechanical stop for opening and closing. Condenser supplied. |



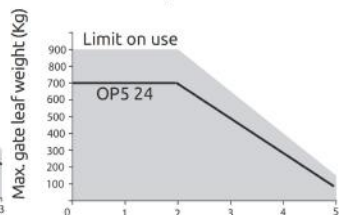
TECHNICAL SPECIFICATIONS

| | OP3 SL UNI (230V 50Hz) | OP3 UNI (230V 50Hz) | OP3L (230V 50Hz) | OP5 UNI (230V 50Hz) | OP5L (230V 50Hz) | OP2 24 UNI (24V) | OP3 24 UNI (24V) | OP5 24 UNI (24V) |
|---|---------------------------|------------------------|---------------------|------------------------|---------------------|---------------------|---------------------|---------------------|
| Max. gate leaf weight (Kg) - see drawing | 350 | 800 | 800 | 900 | 900 | 250 | 800 | 900 |
| Max. gate leaf length (m) - see drawing | 3 | 3 | 3 | 5 | 5 | 2.50 | 3 | 5 |
| Motor power supply (V) | 230V AC | 230V AC | 230V AC | 230V AC | 230V AC | 24V DC | 24V DC | 24V DC |
| Power (W) | 160 | 210 | 220 | 210 | 220 | 60 | 80 | 80 |
| Thrust (N) | 1800 | 2000 | 2000 | 2000 | 2000 | 1500 | 1800 | 1800 |
| Rod stroke (mm) | 325 | 315 | 315 | 465 | 465 | 350 | 315 | 465 |
| Operating temperature (°C Min/Max) | -20 +70 | -20 +70 | -20 +70 | -20 +70 | -20 +70 | -20 +70 | -20 +70 | -20 +70 |
| Protection class (IP) | 54 | 54 | 54 | 54 | 54 | 54 | 54 | 54 |
| Work intermittence (%) | 35 | 35 | 30 | 35 | 30 | 80 | 80 | 80 |
| Time to cover 90° (s) | 19 | 19 | 30 | 28 | 45 | 15 | 19 | 28 |

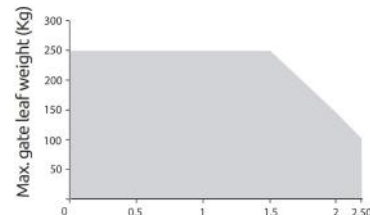
Limit on use OP3/OP3 24



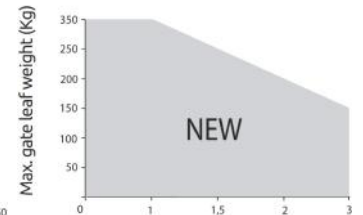
Limit on use OP5/OP5 24



Limit on use OP2 24



Limit on use OP3 SL



In windy areas or when the gate has a particular structural shape, we advise reducing the limits on use.

AOP1



Rear modular, adjustable bracket (2 Kits/Pack)

AOP2



Front modular, adjustable bracket (2 Kits/Pack)

AELVE



Vertical electric lock (1 Pc./Pack)
See N.B.

AELOR



Horizontal electric lock (1 Pc./Pack)
See N.B.

AGECH



Supplementary circuit for charging battery on control units (1 Pc./Pack)

AGE 12



Battery 12V - 2.3 Ah (2 Pcs./Pack)

N.B.

For gate leaves of over 3m and OP2 motors with gate leaves of over 2 m, the use of an electric lock is compulsory.



SETUP OPTIMO SKY LINE UNI DL



Setup Optimo Sky Line UNI DL 230V complete for automation of swing gates with two leaves of up to 3 metres.

| Code | Leaf | Gear motors |
|--------------------------------|------|-------------|
| SETUP OP3 SKY LINE UNI DL EASY | 3 m | OP SL UNI |



Remotes
2 433.92 MHz
LIFE Rolling Code
Transmitters
Page 120



GE UNI RS DL
1 Control unit
with built-in radio
receiver and
antenna



SETUP OPTIMO OP3 UNI DL - OP5 UNI DL



Setup Optimo OP3 UNI DL - OP5 UNI DL 230V 50Hz for automation of swing gates with two leaves.

| Code | Leaf | Gear motors |
|-----------------------|------|-------------|
| SETUP OP3 UNI DL EASY | 3 m | OP3 UNI |
| SETUP OP5 UNI DL EASY | 5 m | OP5 UNI |



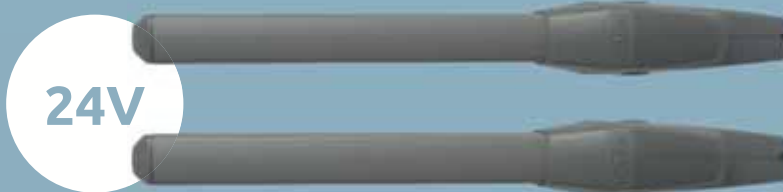
Remotes
2 433.92 MHz
LIFE Rolling Code
Transmitters
Page 120



GE UNI RS DL
1 Control unit
with built-in radio
receiver and
antenna



SETUP OPTIMO UNI DL 24V



Setup Optimo UNI DL 24V complete for automation of swing gates with two leaves of up to 2.5 metres.

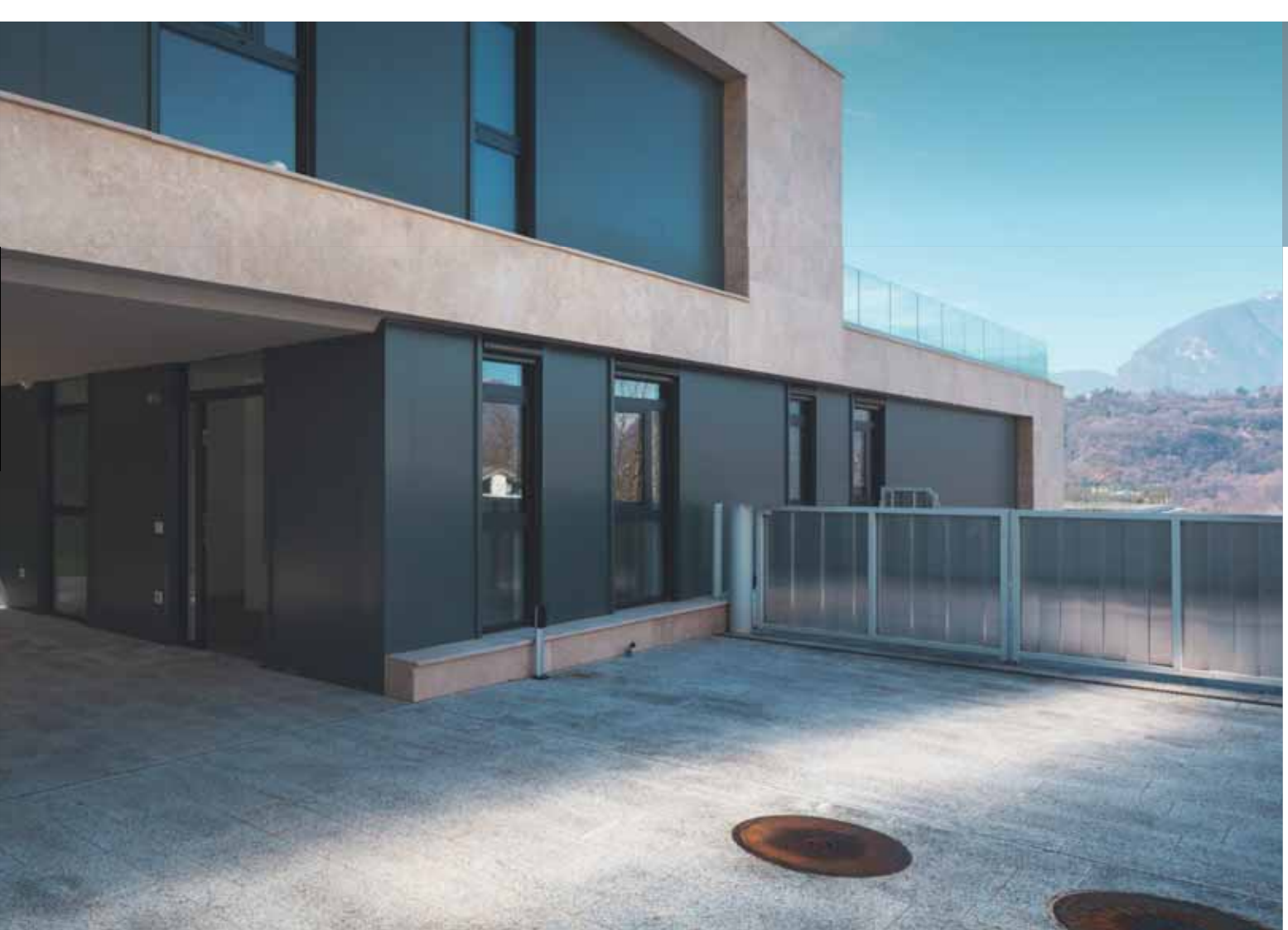
| Code | Leaf | Gear motors |
|--------------------------|-------|-------------|
| SETUP OP2 24 UNI DL EASY | 2.3 m | OP2 24 UNI |



Remote
2 433.92 MHz
LIFE Rolling Code
Transmitters
Page 120



GE UNI 24R DL
1 Control unit
with built-in
receiver



Extend your movement:
enhance your swing gate
with an automation by Life
Home Integration.

Armor

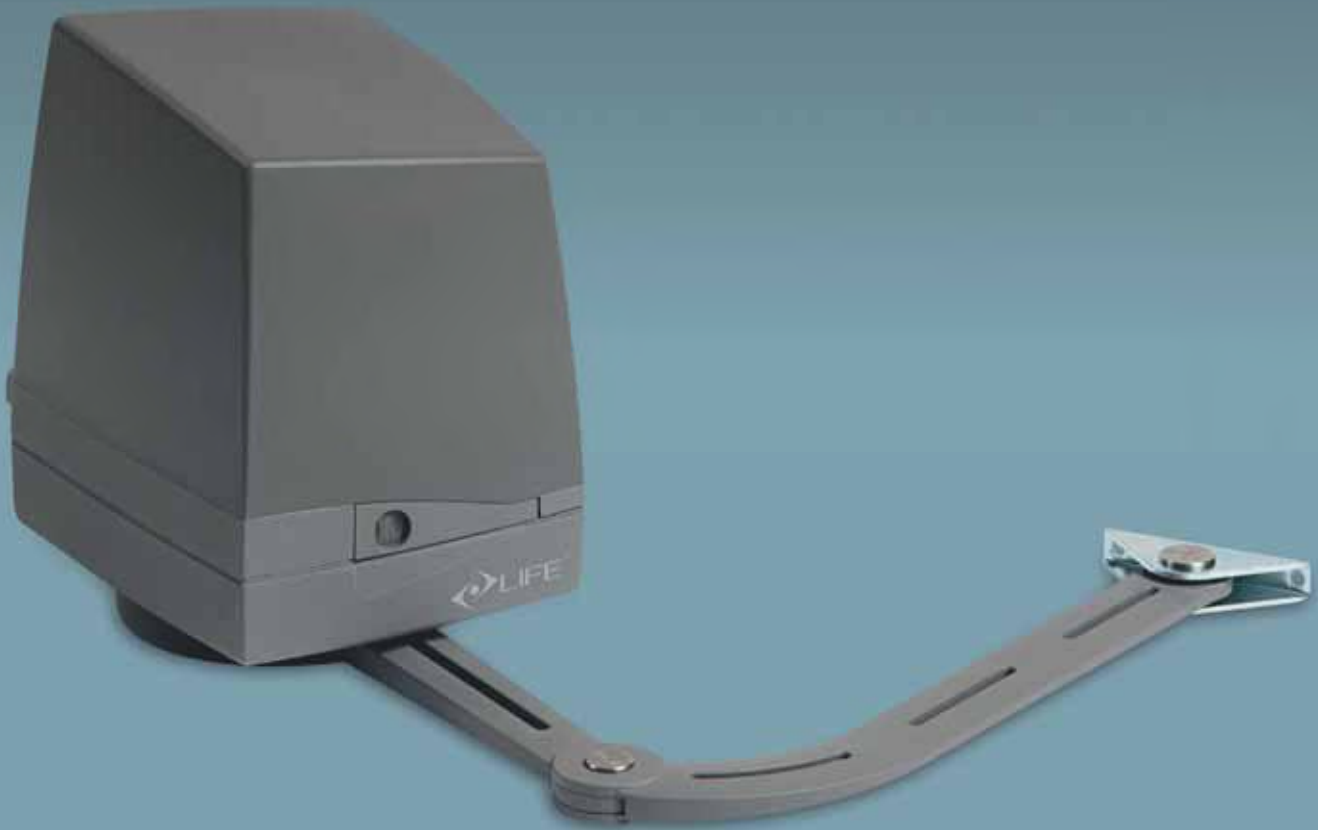


Sinuo





ARMOR



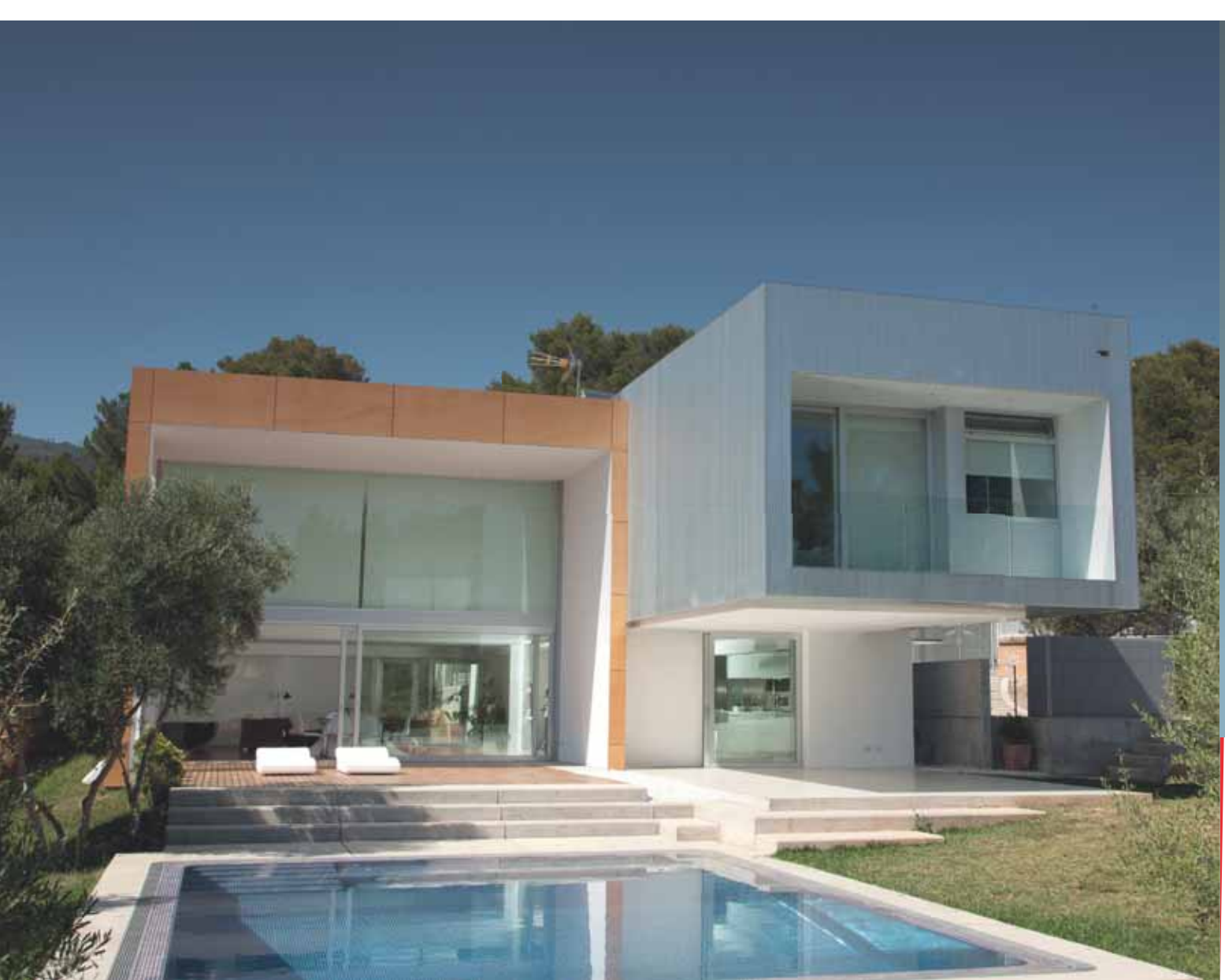
FUNCTIONALITY FOR PRESTIGIOUS SETTINGS



Armor is a swing-gate motor which is installed on large, solid columns and works with lightweight gates. This ability makes it rather special but is not the only distinctive feature. Armor is also remarkable for its modest size and this is what makes it the perfect product for villas, farmhouses and exclusive residences.

Choose Armor if you are seeking maximum functionality for your special setting.

- Available in two 24V versions.
- Structure in aluminium which confers lightness and strength.
- Crushproof external shell for greater protection.
- Additional sturdiness and durability thanks to the motor shaft and larger-sized gear wheels.
- Motor body coated with polyester paints specially made for outdoor use.



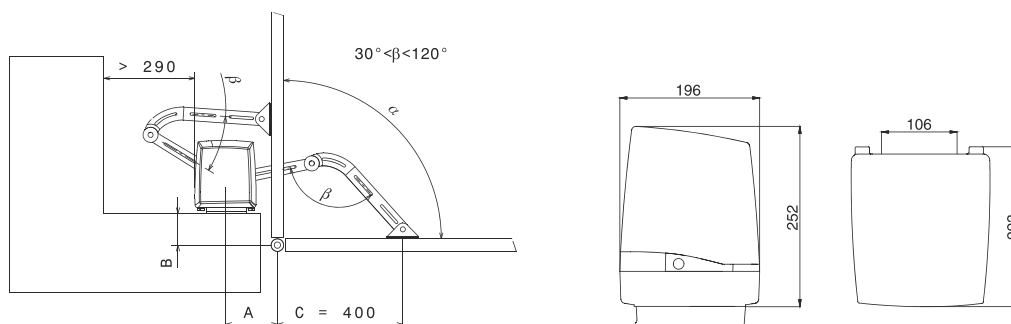
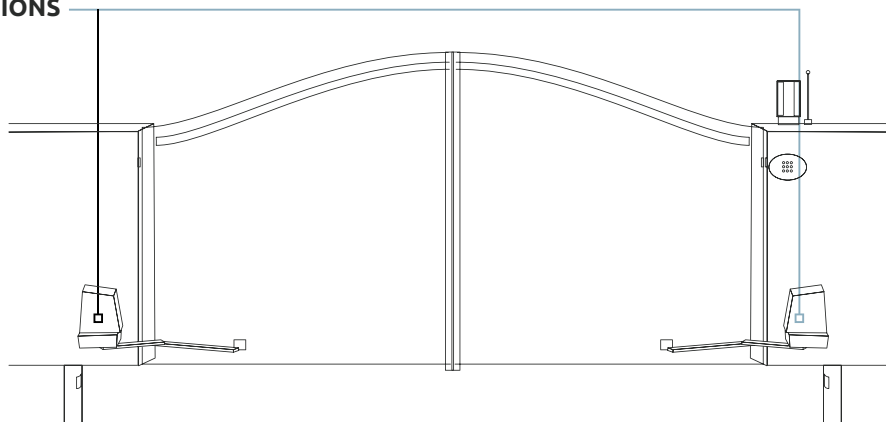
Life Home Integration:
technology and comfort in the
most prestigious settings.



ARMOR



DIMENSIONS



Note: Angle β to be kept between 30° and 120° to achieve optimum release; otherwise consider using the ARMAX arm

Irreversible electromechanical gear motor with jointed arm for swing gates. External fitting.

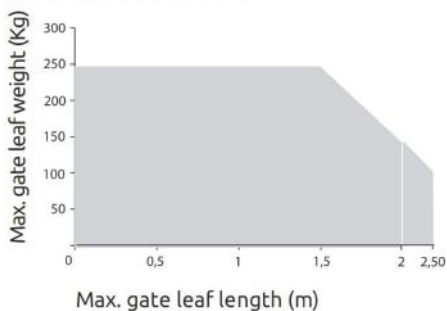
| Code | Leaf | Motor | Description |
|-----------------------|--------|--------|---|
| ARO 24 UNI | 2.50 m | 24V DC | Irreversible gear motor. Model equipped with mechanical stop for opening and closing. Control unit not fitted on board. |
| AR2 24P UNI DL | 2.50 m | 24V DC | Irreversible gear motor. Model equipped with mechanical stop for opening and closing. Control unit (RG UNI 24R DL AR) for double or single motor with built-in 433.92 MHz LIFE radio receiver on board. |

Note: we advise using ARMAX on heavy leaf or maximum length gates.

□ —
 □ — **TECHNICAL SPECIFICATIONS**
 □ —

| | ARO 24 UNI | AR2 24P UNI DL |
|--|-------------------|-----------------------|
| Max. gate leaf weight (Kg) - see drawing | 250 | 250 |
| Max. gate leaf length (m) - see drawing | 2.50 | 2.50 |
| Mains power supply (V) | 230V 50 Hz | 230V 50 Hz |
| Motor power supply (V) | 24V DC | 24V DC |
| Power (W) | 40 | 40 |
| Torque (Nm) | 170 | 170 |
| Operating temperature (°C Min/Max) | -20 +70 | -20 +70 |
| Protection class (IP) | 44 | 44 |
| Work intermittence (%) | 80 | 80 |
| Time to cover 90° (s) | 14 | 14 |

Limit on use ARMOR



In windy areas or when the gate has a particular structural shape, we advise reducing the limits on use.

ARMAX



Larger-sized jointed arm
(1 Pc./Pack)

ASECAR



External releasing device with metal wire
(1 Pc./Pack)

DOS



Key switch with release mechanism for metal wire
Page 135
(1 Pc./Pack)

AELVE



Vertical electric lock
(1 Pc./Pack)

AELOR



Horizontal electric lock
(1 Pc./Pack)

AGECH



Supplementary circuit for charging battery on control units
(1 Pc./Pack)

AGE 12



Battery 12V - 2.3 Ah
(2 Pcs./Pack)



SETUP ARMOR



Setup Armor 24 V complete for automation of swing gates with two leaves of up to 2.3 metres.

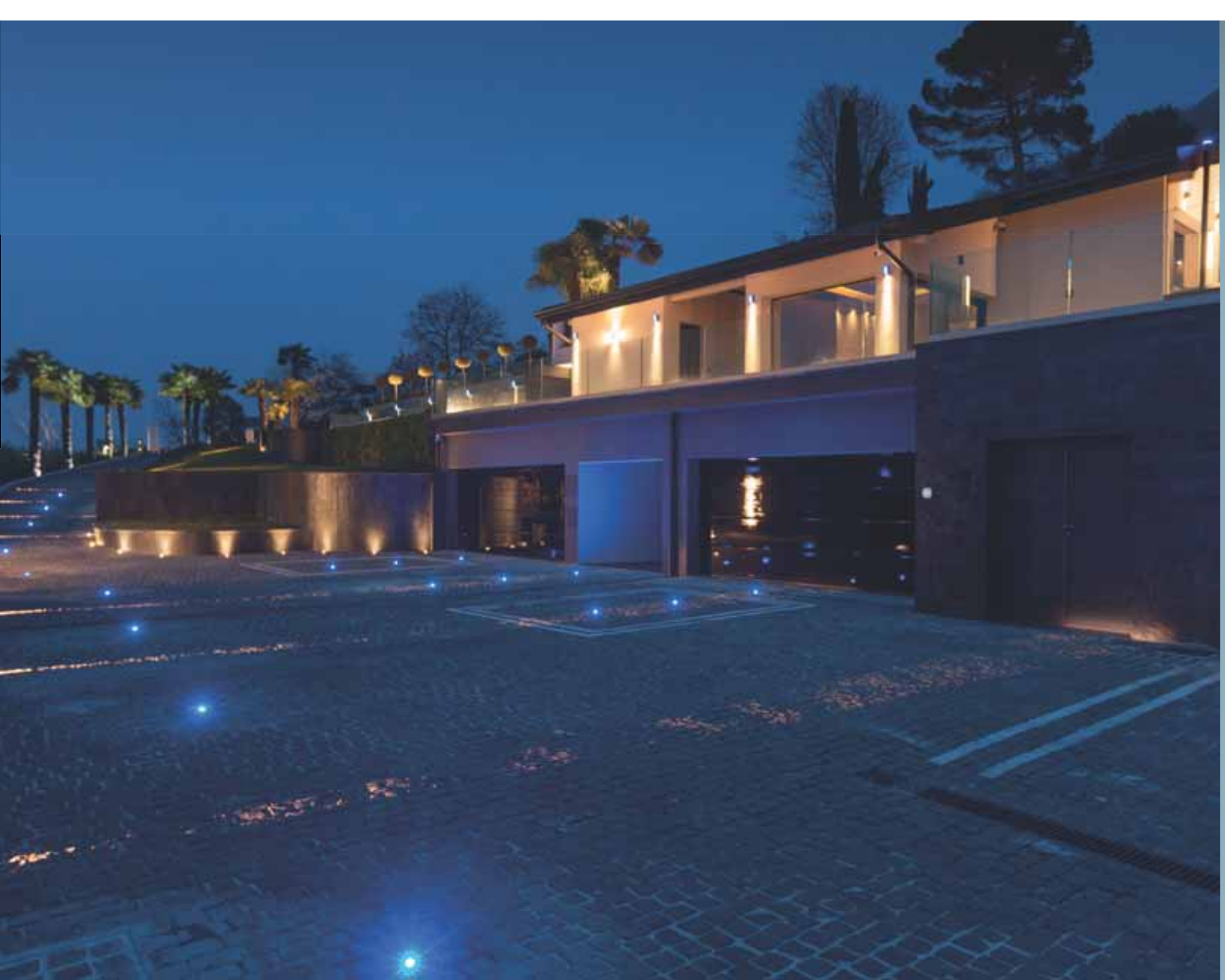
| Code | Leaf | Gear motors |
|-------------------------|--------|-------------------------------|
| SETUP ARMOR UNI DL EASY | 2.30 m | ARO 24 UNI and AR2 24P UNI DL |



Remotes
2 433.92 MHz
LIFE Rolling Code
Transmitters
Page 120



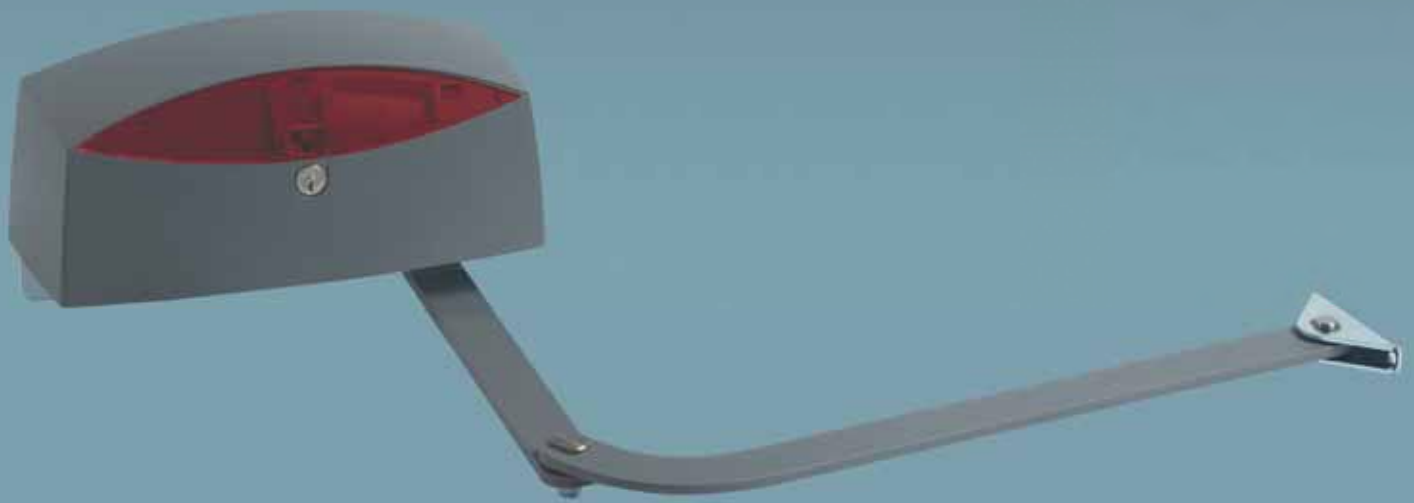
RGUNI24RDL AR
1 Control unit with
built-in receiver and
radio



Simplicity and convenience for
your home at all times.



SINUO



AUTOMATION AT ITS MOST VERSATILE



Sinuo is extremely versatile and can be used in compact spaces where columns may be particularly large. The automation is designed to be long-lasting and to ensure sturdiness during use. Choose Sinuo if you are seeking a safe and attractively-styled automation.

- Available in two 230V versions for gate leaves of up to 5 metres.
- Consisting of two sturdy aluminium shells.
- The gear unit mechanics ensure silent rotation.
- Easily removable shell.
- Releasing device protected.
- Easy and safe release action.

Enjoy
every
movement.

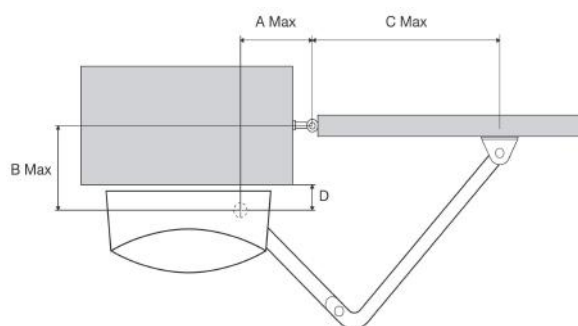
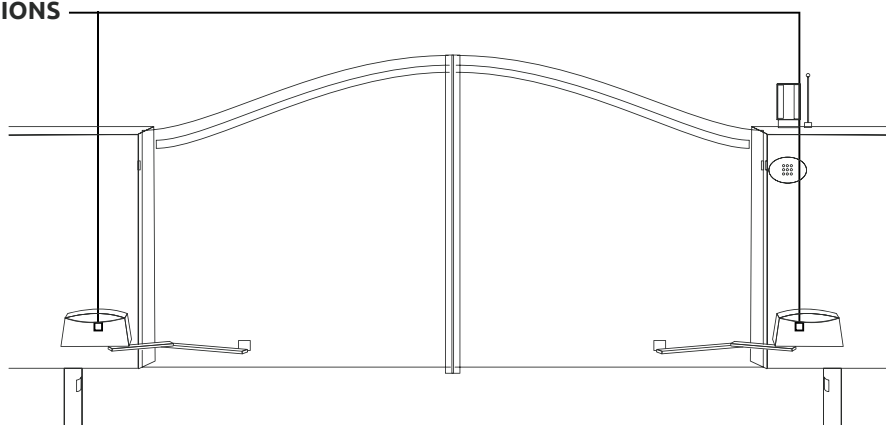




SINUO



DIMENSIONS



| | STANDARD | ARMAX XL |
|-------|----------|----------|
| A Max | 160 | 420 |
| B max | 370 | 470 |
| C Max | 480 | 830 |
| D max | 87 | 87 |

Irreversible electromechanical gear motor with jointed arm for swing gates. External fitting.

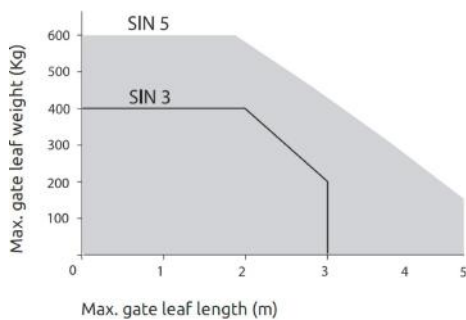
| Code | Leaf | Motor | Description |
|--------------------|------|---------|--|
| SIN 3 UNI | 3 m | 230V AC | Irreversible gear motor. Quick. Model with limit switch for opening and closing. Control unit not fitted on board. |
| SIN 5 UNI L | 5 m | 230V AC | Irreversible gear motor. Slow. Model with limit switch for opening and closing. Control unit not fitted on board. |



□ —
 □ — **TECHNICAL SPECIFICATIONS**
 □ —

| | SIN 3 | SIN 5 |
|--|-------------|-------------|
| Max. gate leaf weight (Kg) - see drawing | 400 | 600 |
| Max. gate leaf length (m) - see drawing | 3 | 5 |
| Motor power supply (V) | 230 V 50 Hz | 230 V 50 Hz |
| Power absorbed (W) | 220 | 220 |
| Torque (Nm) | 280 | 350 |
| Operating temperature (°C Min/Max) | -20 +70 | -20 +70 |
| Protection class (IP) | 44 | 44 |
| Work intermittence (%) | 35 | 35 |
| Time to cover 90° (s) | 12 | 18 |
| Speed (rpm) | 1.7 | 1.1 |
| Overheating protection (°C) | 140 | 140 |

Limit on use SINUO



In windy areas or when the gate has a particular structural shape, we advise reducing the limits on use.

ARMAX XL



Larger-sized jointed arm
(1 Pc./Pack)

ASECXL



External releasing device with metal wire
(1 Pc./Pack)

DOS



Key switch with release mechanism for metal wire
(1 Pc./Pack)
Page 135

AELVE



Vertical electric lock
(1 Pc./Pack)

AELOR



Horizontal electric lock
(1 Pc./Pack)

GE UNI RS DL




Control unit
(1 Pc./Pack)

GE UNI R



Control unit
(1 Pc./Pack)



Enjoy
every
movement.





ERGO



MECHANICAL QUALITIES THAT ACHIEVE SUCCESS



Ergo is the underground motor which does not fear the passing of time. Its mechanical features are among the sturdiest in the market. Particular technical choices ensure solidity, silent operation and long-term reliability. Choose Ergo if you are seeking a more resistant automation.

- Available in two 24V versions and five 230V versions.
- Structure in lightweight, durable aluminium.
- Gear motor enclosure made in die-cast materials and coated with polyester paints specially made for outdoor use.
- Three different types of foundation boxes.
- Thick bottom.



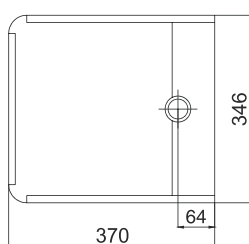
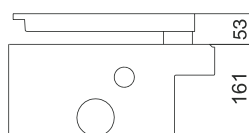
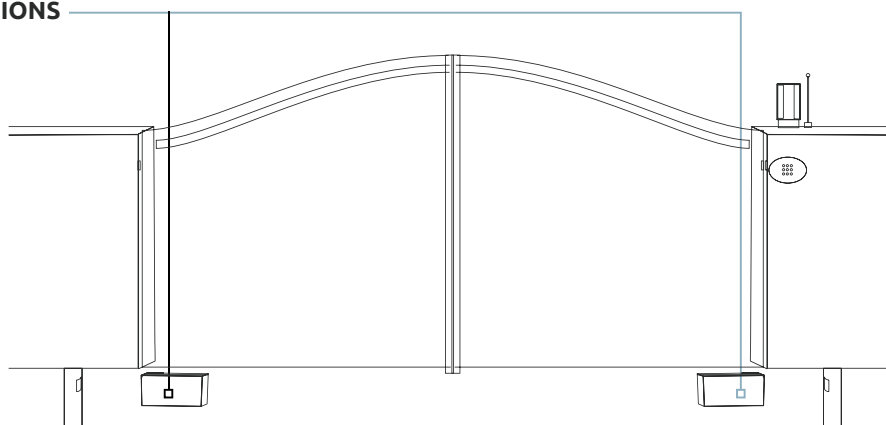
Life Home Integration:
the automation that
counts, the automation
that is long-lasting.



ERGO



DIMENSIONS



Irreversible electromechanical gear motor with jointed arm for swing gates. External fitting.

| Code | Leaf | Motor | Description |
|------------|------|---------|--|
| ER4 24 | 3 m | 24V DC | Grease -lubricated, irreversible gear motor, complete with mechanical stop for opening and closing. Model equipped with encoder. Pre-wired 2.5 m connector cables. |
| ER4 24 UNI | 3 m | 24V DC | Grease -lubricated, irreversible gear motor, complete with mechanical stop for opening and closing. Pre-wired 2.5 m connector cables. |
| ER4 | 3 m | 230V AC | Quick, grease -lubricated, irreversible gear motor, complete with mechanical stop for opening and closing. Model equipped with encoder. Pre-wired 2.5 m connector cables. Condenser supplied. |
| ER4L | 3 m | 230V AC | Slow, grease -lubricated, irreversible gear motor, complete with mechanical stop for opening and closing. Model equipped with encoder. Pre-wired 2.5 m connector cables. Condenser supplied. |
| ER4B | 3 m | 230V AC | Quick, oil -lubricated, irreversible gear motor, complete with mechanical stop for opening and closing. Model equipped with encoder. Pre-wired 2.5 m connector cables. Condenser supplied. |
| ER4 UNI | 3 m | 230V AC | Quick, grease -lubricated, irreversible gear motor, complete with mechanical stop for opening and closing. Pre-wired 2.5 m connector cables. Condenser supplied. |
| ER4 UNI L | 3 m | 230V AC | Slow, grease -lubricated, irreversible gear motor, complete with mechanical stop for opening and closing. Pre-wired 2.5 m connector cables. Condenser supplied. |

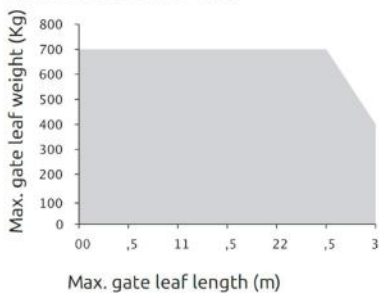
UNI: motors without encoder



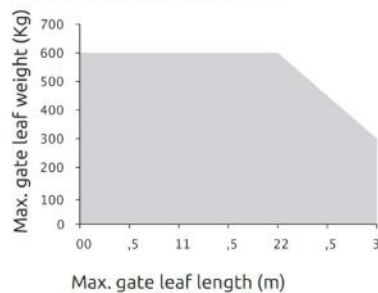
TECHNICAL SPECIFICATIONS

| | ER4 UNI (230V 50Hz) | ER4L UNI (230V 50Hz) | ER4B (230V 50Hz) | ER424 UNI (24V) |
|---|------------------------|-------------------------|---------------------|--------------------|
| Max. gate leaf weight (Kg) - see drawings | 700 | 700 | 700 | 600 |
| Max. gate leaf length (m) - see drawings | 3 | 5 | 3 | 3 |
| Motor power supply (V) | 230V AC | 230V AC | 230V AC | 24V DC |
| Power (W) | 300 | 300 | 300 | 120 |
| Torque (Nm) | 350 | 350 | 350 | 250 |
| Lubrication (Type) | Grease | Grease | Oil | Grease |
| Overheating protection (°C) | 140 | 140 | 140 | - |
| Operating temperature (°C Min/Max) | -20 +70 | -20 +70 | -20 +70 | -20 +70 |
| Protection class (IP) | 67 | 67 | 67 | 67 |
| Time to cover 90° (s) | 18 | 28 | 18 | 20 |
| Intermittence (%) | 35 | 35 | 35 | 80 |

Limit on use ERGO ER4



Limit on use ERGO ER4 24



In windy areas or when the gate has a particular structural shape, we advise reducing the limits on use.

ERG



Foundation box complete with supports, caps, levers and screws. Release system not included. Cataphoresis box. Galvanised cover.

ERG CX



Foundation box complete with supports, caps, levers and screws. Release system not included. Cataphoresis box. Stainless steel cover.

ERGX



Foundation box complete with supports, caps, levers and screws. Release system not included. Stainless steel.

AELVE



Vertical electric lock (1 Pc./Pack)

AELOR



Horizontal electric lock (1 Pc./Pack)

AER1



Chain transmission for openings of up to 180° (1 Pc./Pack)

AMA2



Key release (1 Pc./Pack)