

# Digipro Digislim

**DEA**<sup>®</sup>  
move as you like



Access Control

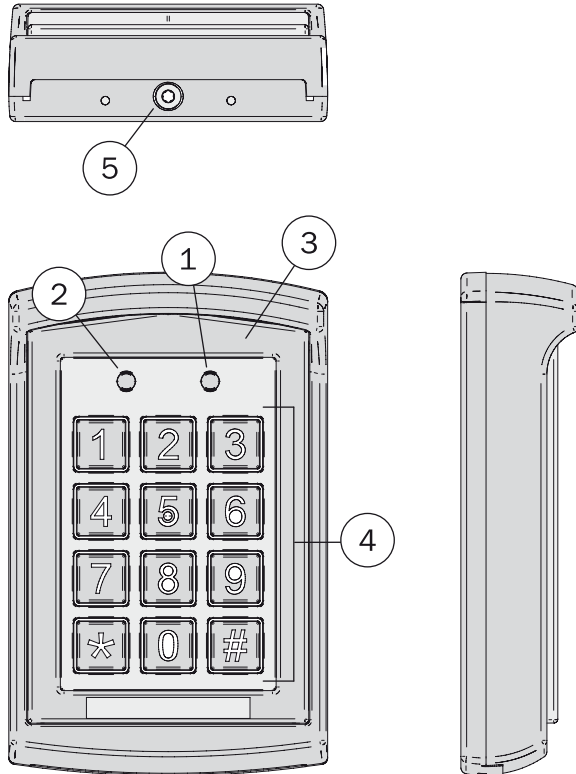
Operating instructions and warnings



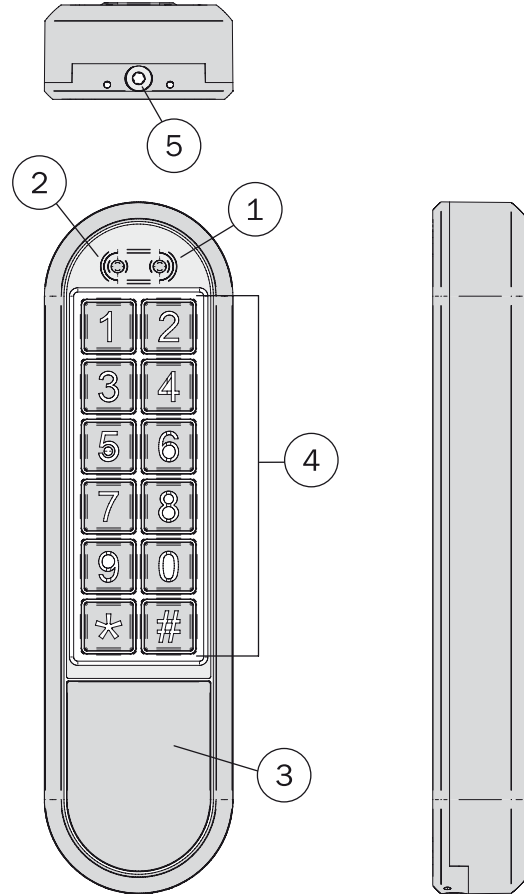
# Digipro - Digislim

Access Control  
Operating instructions and warnings

Art. DIGIPRO



Art. DIGISLIM



EN

N°	Description	Technical data
1	Mode indicator	<p>Terms of use:</p> <ul style="list-style-type: none"> <li>- temperature: -20°C ÷ +50°C</li> <li>- RH: ≤95%</li> </ul> <p>Current and voltage:</p> <ul style="list-style-type: none"> <li>- DC input: +12V - +24V</li> <li>- AC input: ~ 12V - 24V</li> <li>- Standby current: ≤80mA</li> <li>- Current while using: ≤110mA</li> </ul> <p>Applicable card mode:</p> <ul style="list-style-type: none"> <li>- EM ID Card (Default)</li> </ul> <p>Effective distance: 5cm</p> <p>Storage capacity:</p> <ul style="list-style-type: none"> <li>- ZONA 1: up to 1000 passwords AND cards</li> <li>- ZONA 2: up to 10 passwords <u>OR</u> cards</li> </ul>
2	Door indicator	
3	Antenna	
4	Keyboard	
5	Lid screw	

## 1 SPECIFICATIONS/FEATURES

- EM internal player.
- Frequency: 125KHz.
- Effective distance: 5cm.
- ZONE 1: up to 1000 passwords AND cards  
ZONE 2: up to 10 passwords OR cards
- Access by card, access by code, combined access.
- Operating with digital keyboard.
- Integrated anti-removal function.
- Two relay outputs.
- Delay release time output: 0~99s.
- IP: 65.
- Dimensions:  
DigiPro: 120x76x28 mm.  
DigiSlim: 165x45x23,5 mm
- Two relay outputs for door opening, door status detection, door opening by key. Door status detection regards ZONE 1 only.

## 2 INSTALLATION

Warning: Please remove the lid carefully following the instructions. Avoid removing parts by forcing the components.

Warning: In order to remove the lid, slightly slide upward the front part, then following Fig. 1 , lift the lower part of about 20° and remove it gently.

Before installing, locate the position in which the access control will be mounted. Please proceed according to the following instructions:

- Open the device by unscrewing and removing the special screw on the bottom of the rear base with the wrench provided.
- Use the drilling template provided to locate the exact position and to drill the holes required.
- Use the screws provided to fix the rear base to the wall. Be sure to run the cables through the large hole in the center of the rear base ( Fig. 2 and Fig. 3 ).
- Run the wiring carefully following the label on the back (Fig. 4 ).
- Reassemble the unit and secure it using the wrench.

### 3 OPERATING

ZONE 1 and 2 relays can be programmed to open the lock; you can store up to a maximum of 1000 user cards (AND their codes) for ZONE 1 and up to a maximum of 10 user cards (OR 10 codes) for ZONE 2. Moreover, ZONE 1 can be programmed in 3 modes to open the lock: access by card (card only), by card or code (you can use the card or the code) and by combined access (card and code together). ZONE 2 can be programmed for the bell.

#### 3.1 Access to the setting mode

- Default admin code is 1234.
- Enter the default admin code 2 times (1234 - 1234). But:
  - a) if the default admin code entered is 2 digits, please insert 12 - 12;
  - b) if the default admin code entered is 3 digits, please insert 123 - 123;
  - c) if the default admin code entered is 5 digits, please insert 12345 - 12345;
 The rest may be deduced by analogy and the maximum is 6 digits long.
- After entering the setting mode, the yellow LED lights up.

Warning: users codes must be different from administrator code.

Warning: ZONE 1 codes must be different from ZONE 2 ones.

#### 3.2 Setting the access mode

In setting mode:

- Press **\*** followed by **0**, the mode yellow LED blinks, press the **0** 2 times, the light stays fixed and you will hear a long beep. This indicates that you can get access by card only.
- Press **\*** followed by **0**, the mode yellow LED blinks, press the **0** followed by **1**, the light stays fixed and you will hear a long beep. This indicates that you can get access by card and by code.
- Press **\*** followed by **0**, the mode yellow LED blinks, press the **0** followed by **2**, the light stays fixed and you will hear a long beep. This indicates that you can get access by card and by code (combined access).
- Press **#** to exit the setting mode.

#### 3.3 Setting the length of passwords

In setting mode:

- Press **\*** followed by **9**, the yellow LED blinks, press the **0** followed by **4** and you will hear a "BI" as reminder, then digit X (X=2, 3, 4, 5, 6):
  - a) if 2 - Password/code length is 2 digits (from 00 to 99).
  - b) if 3 - Password/code length is 3 digits (from 000 to 999).
 The rest may be deduced by analogy and the maximum is 6 digits long.  
 The "BI" sound, indicates that the chosen length value was correctly set.  
 If the sound is "BI BI BI", indicates that the chosen length value is the same in use and can't be modified.
- Press **#** to exit the setting mode.

Warning: once you modified the length value, all stored cards and passwords will be cancelled.

### 3.4 Adding user card and code (ZONE 1)

In setting mode:

Insert a 3-digit number (from 000 to 999) corresponding to the data storage box in which you want to operate, the yellow led blinks:

- a) If the red LED is lit, it indicates that in the chosen memory box data is already saved, press the **\*** key twice to clear the memory;
- b) If the green LED is on, it indicates that cards and passwords can be added in the chosen memory box.

Steps to add cards and passwords:

- In setting mode, the yellow LED blinks.
- Insert the 3-digit number (from 000 to 999) in the data storage box in which you want to add the user, the green LED lights up.
- Approach the card, the sound "BI" indicates that it was added. Then insert the desired password (relative to the just added card). The password length must be the same of the admin code. For example, if the admin code is 12 (2 is the length) you have to set a 2-digit password (from 00 to 99). if the admin code is 123 (3 is the length) you have to set a 3-digit password (from 000 to 999). The rest may be deduced by analogy and the maximum is 6 digits long... The "BI" sound, indicates that the password was correctly set.
- Press **#** to exit the setting mode.

### 3.5 Erasing user card and code (ZONE 1)

In setting mode:

Insert a 3-digit number (from 000 to 999) corresponding to the data storage box in which you want to operate, if the red LED is on, it indicates that in the chosen memory box data is already saved, press the **\*** key twice to clear the memory.

### 3.6 Adding user card or code (ZONE 2)

In setting mode:

- Press **\*** followed by **4**, the yellow led blinks, insert a 2-digit number (from 00 to 09) corresponding to the data storage box in which you want to operate, the yellow LED blinks.
  - a) If the red LED is on, it means that inside the chosen memory box data is already saved, press the key **\*** twice to erase the memory.
  - b) If the green LED is on, it means that cards o passwords can be added in the chosen data storage box.
- Approach the card, the sound "BI" indicates that you added it; OR insert the desired password; the password length must be the same as the admin code. I.g., if the admin code is 12 (2 is the length) you must set a 2-digit password (from 00 to 99). If the admi code is 123 (3 is the length), you must set a 3–digit password (from 000 to 999). The rest may be deduced by analogy...The sound "BI" indicates that the password was correctly set.
- Press **#** to exit the setting mode.

### 3.7 Erasing user card or code (ZONE 2)

In setting mode:

Press **\*** followed by **4**, the yellow LED blinks, insert a 2-digit number (from 0 to 09) corresponding to the data storage box in which you want to operate, if the red LED is on it indicates that in the chosen memory box data is already saved, press the **\*** key twice to erase the memory.

## 3.8 Relay timing

## Relay timing for ZONE 1

In setting mode:

- Press **\*** followed by **1**, the yellow LED blinks, digit the desired value (from 00 to 99), the yellow LED remains fixed, in the meanwhile you will hear a long “BEEP” indicating the correct insertion of the relay activation time. The set value indicates the times the relay will be active. For example:
  - a) Inserting 05, it means the relay will remain active for 5 seconds.
  - b) Inserting 00, you must approach the card or insert the password once to activate the relay and a second time to close it.
- Press **#** to exit the setting mode.

Door status detecting function (ZONE 1 ONLY): When someone opens the door and enters, and the door is closed, the device automatically detects the door status and deactivates the relay although this is still in the activation period.

## Relay timing for ZONE 2

In setting mode:

- Press **\*** followed by **5**, the yellow LED blinks, digit the desired value (from 00 to 99), the yellow LED remains fixed, in the meanwhile you will hear a long “BEEP” indicating the correct insertion of the relay activation time. The set value indicates the times the relay will be active. For example:
  - a) Inserting 05, it means the relay will remain active for 5 seconds.
  - b) Inserting 00, you must approach the card or insert the password once to activate the relay and a second time to close it.
- Press **#** to exit the setting mode.

## 3.9 Erasing all user cards and codes, restoring factory settings

In setting mode:

- Press **\*** followed by **8**, the yellow LED blinks, press the key **8** twice, you will hear a long “beep” and the yellow LED remains fixed to indicate that all memorized data (user card and password) was cancelled correctly.
- Press **\*** followed by **8**, the yellow LED blinks, press the key **9** twice, you will hear a long “beep” and the yellow LED remains fixed to indicate that the factory settings were restored.
- Press **#** to exit the setting mode and remain on standby.

Warning:

If you enter incorrect information, you will hear a double “BI-BI” and after 30 seconds the device will automatically return to the initial mode again accompanied by the sound “BI-BI”.

If you're not in the settings mode and you enter an incomplete number, or if you have to unlock the door with the card and the password (combined) but only one of the two actions is made, the device will return to the initial mode automatically after 5 seconds, accompanied by the double sound “BI-BI”.

Warning:

If the admin code is lost, switch the power off, hold the **#** key, then restore power. A sound “BI” indicates that the default admin code was successfully reset.

If codes are 2 digits-the default admin code is 12;

If codes are 3 digits-the default admin code is 123;

If codes are 4 digits-the default admin code is 1234;

If codes are 5 digits-the default admin code is 12345;

If codes are 6 digits-the default admin code is 123456 (the maximum is 6).

## 3.10 Admin code modification

In setting mode:

- Press **\*** followed by **3**, the yellow LED blinks, then insert a new administrator code two times (the admin code length must be the same as above): the sound "BI" indicates that the modification was successful.
- Press **#** to exit the setting mode.

## 3.11 Turn on/turn off the anti-removal alarm

In setting mode:

- Press **\*** followed by **6** (the yellow led blinks), then press **0** followed by **1**, a long "BEEP" will be heard and the yellow LED remains fixed, the anti-removal alarm is turned off.
- Press **\*** followed by **6** (the yellow led blinks), then press **0** followed by **2**, a long "BEEP" will be heard and the yellow LED remains fixed, the anti-removal alarm is turned on.
- Press **#** to exit the setting mode.

Warning: The built-in buzzer will continuously beep if the photoresistor is exposed to light. The buzzer will automatically turn off within 60 seconds when the light is no longer detected, or by entering the admin code.

## 3.12 Turn on/turn off the bell

In setting mode:

- Press **\*** followed by **2** (the yellow led blinks), then press **0** followed by **1**, a long "BEEP" will be heard and the yellow LED remains fixed, the bell is turned off.
- Press **\*** followed by **2** (the yellow led blinks), then press **0** followed by **2**, a long "BEEP" will be heard and the yellow LED remains fixed, the bell is turned on.
- Press **#** to exit the setting mode.

Warning: The bell in ZONE 2 is available if the bell function is on. Press **\*** in standby mode, the relay will active once, activating the bell.

Warning: If the bell is enable in ZONE 2, you can't use cards or user codes.

## 3.13 Adding the master card (ZONE 1 only)

In setting mode:

- Press **\*** followed by **7**, the green LED will blinks indicating that there are no master cards stored, otherwise, if the LED turns red it means there is already saved data, press the **\*** key twice to clear the memory, at this point the green LED blinks, then swipe the master card, a long "beep" will be heard to indicate that the addition was successful.
- Press **#** to exit the setting mode.

## 3.14 Enter settings mode swiping the master card

To enter the setting mode:

- Swipe the master card, the yellow LED blinks and a long "BI" will be heard as confirmation of entry;
- To exit the setting mode, bring back the master card, the LED will turn green and you will hear 3 quick "BEEP" to confirm the exit.

Warning: The access control will be locked for 60 seconds after entering a wrong code or the swiping an invalid card for 5 times (both the keyboard and the card recognition won't be available during these 60 sec.).

## 3.15 Adding cards groups in ZONE 1

In setting mode:

- Press **\*** followed by **9** (the yellow led blinks), then press **0** followed by **1**, a “BI” will be heard as reminder. Insert a 3-digit number (from 000 to 999) corresponding to the data storage box where you want to save the first card of the group, then insert a second 3-digit number (from 000 to 999 indicating the cards quantity that can be added. For example:
  - a) Inserting 005 060, it means that the cards added to the memory start from 005 and they are 60.
  - b) Inserting 060 150, it means that the cards added to the memory start from 060 and they are 150.
- Swipe the first card to be added or insert a serial number (8 digits), the sound “BI” indicates that the card was correctly added.  
Warning: After having learnt the first serial number, the next ones (for the number of cards set) will be automatically saved.
- Press **#** to exit the setting mode.

EN

## 3.16 Modifying the user code of ZONE 1

In setting mode:

- Press **\*** followed by **9** (the yellow led blinks), then press **0** followed by **2**, a “BI” will be heard as reminder. Insert a 3-digit number (from 000 to 999) corresponding to the data storage box where you want to add a new password (the password length must be the same as the admin code).
- Press **#** to exit the setting mode.





move as you like

# NOTES

---

---

---

---

---

---

---

---

---

---

---

---

---

---

---

---

---

---

---

---

---

---

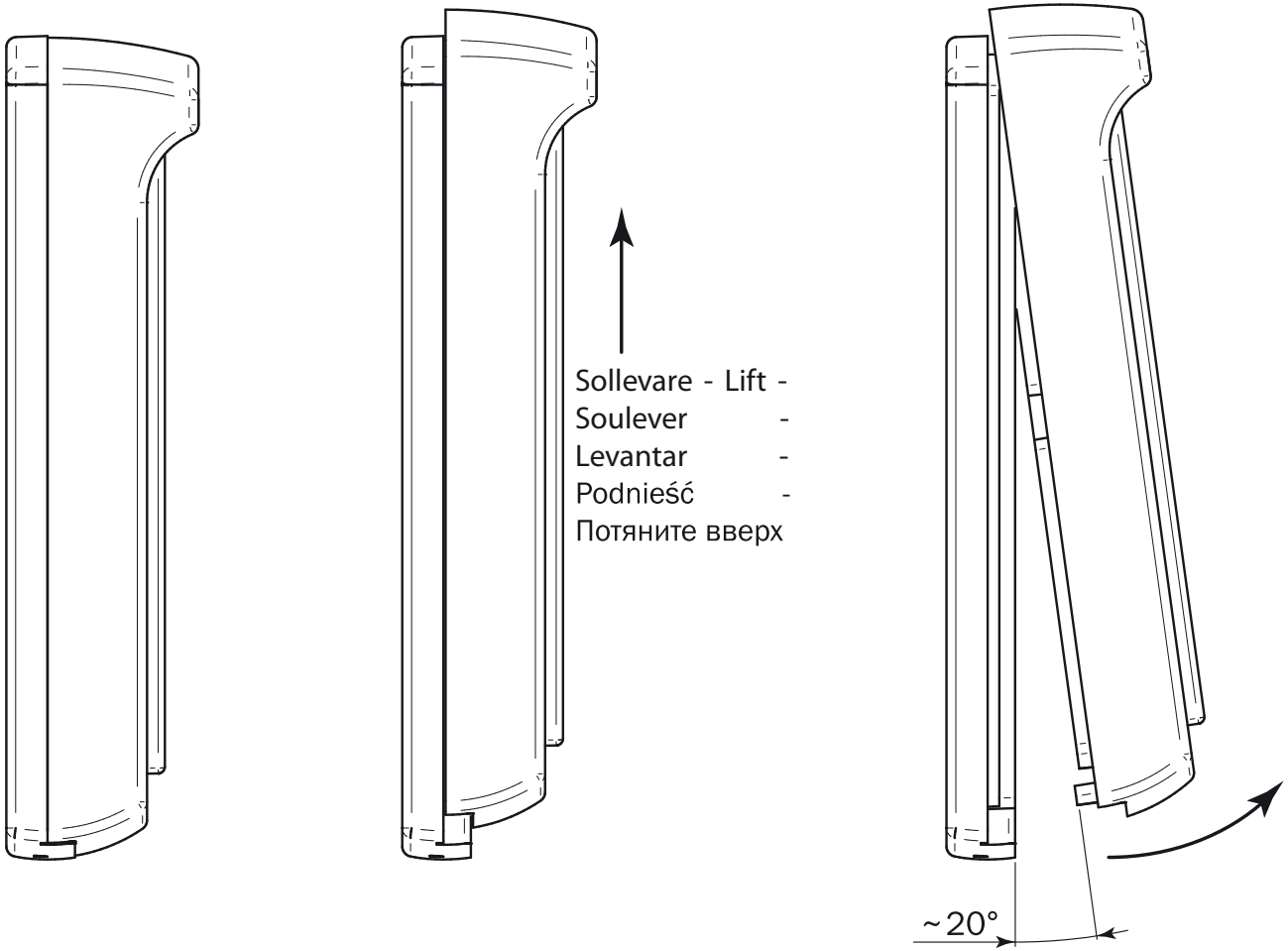
---

---

---

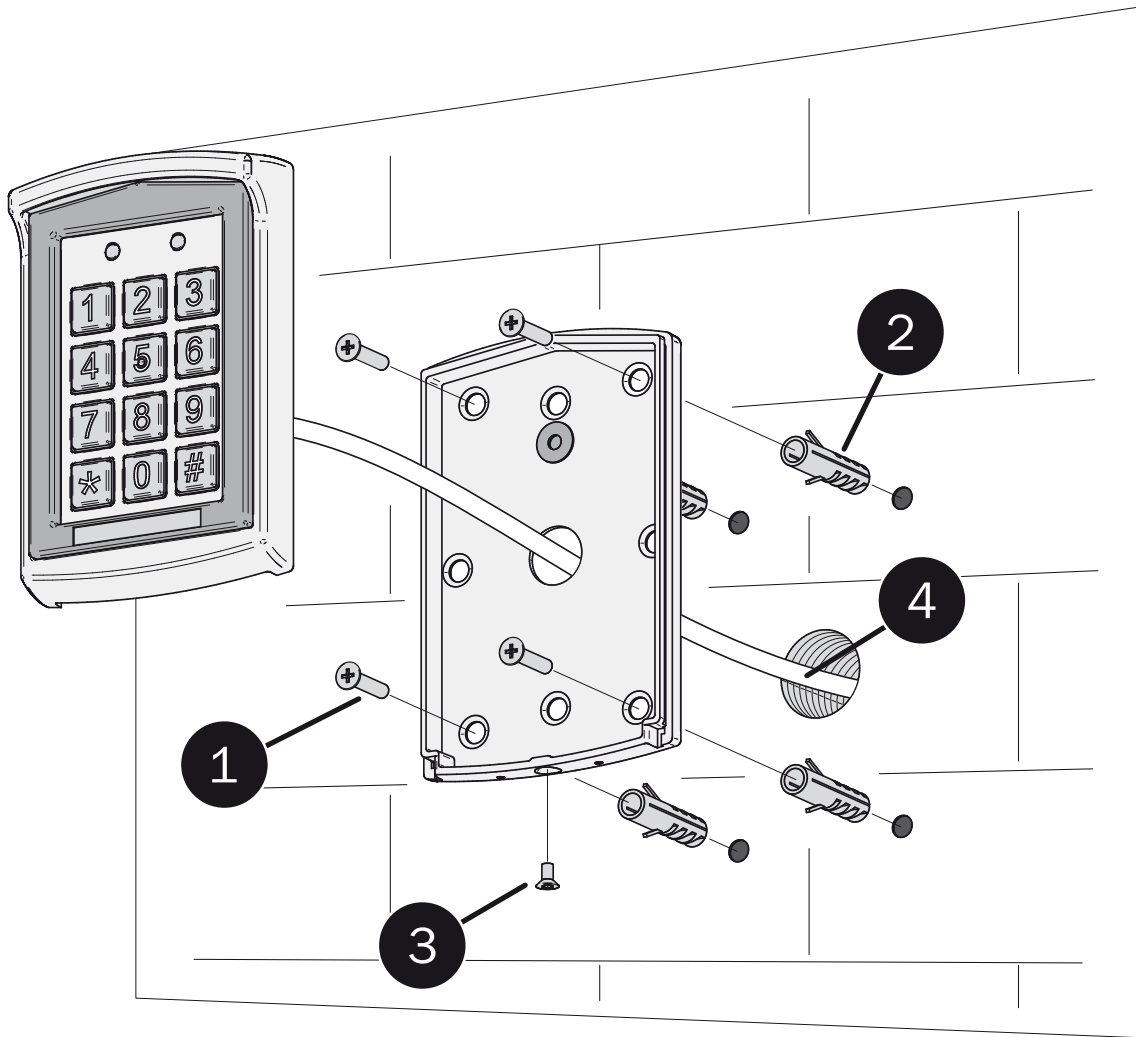
---

1



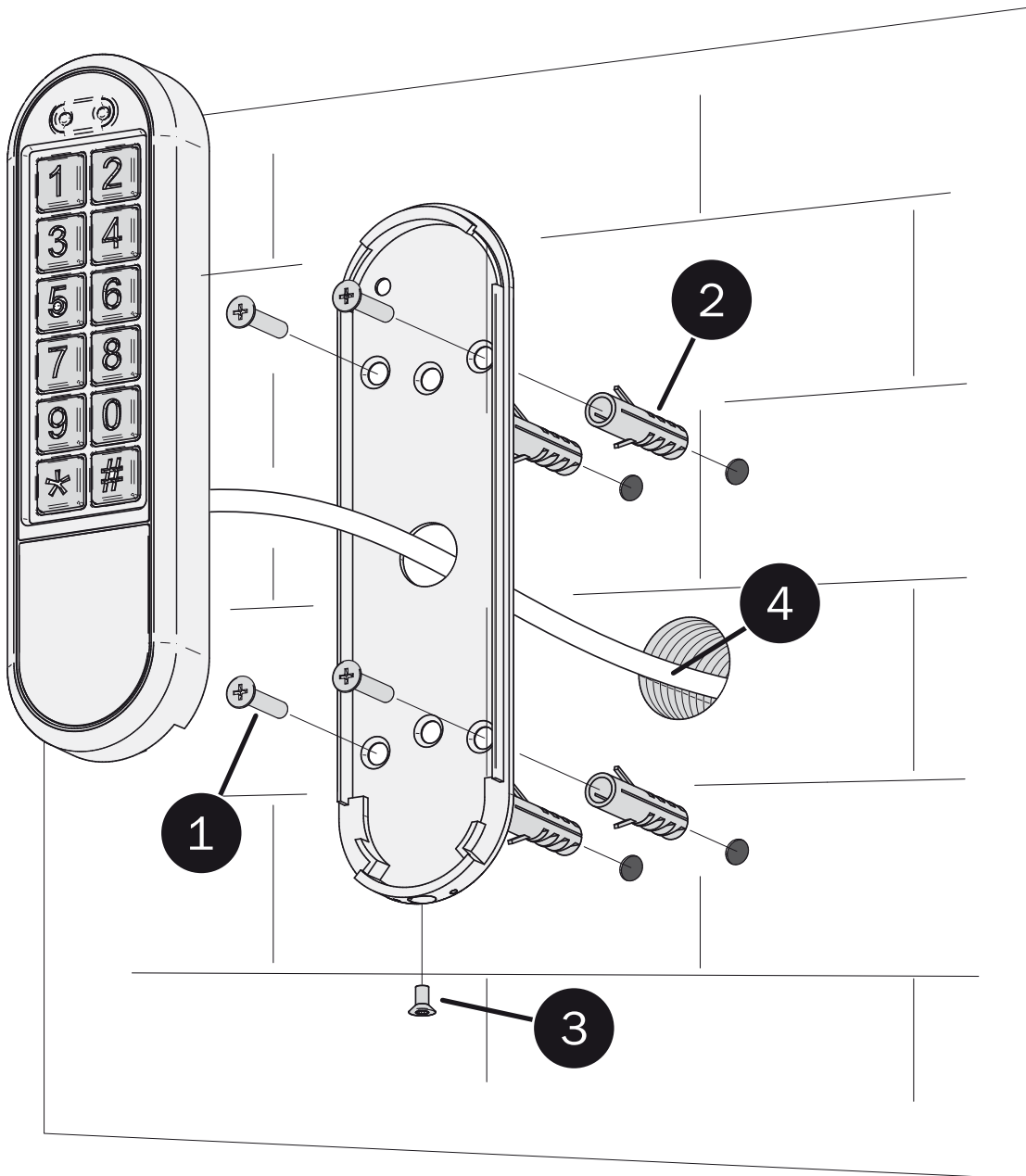
Warning: In order to remove the lid, slightly slide upward the front part, then following Fig. 1, lift the lower part of about 20° and remove it gently.

**2**

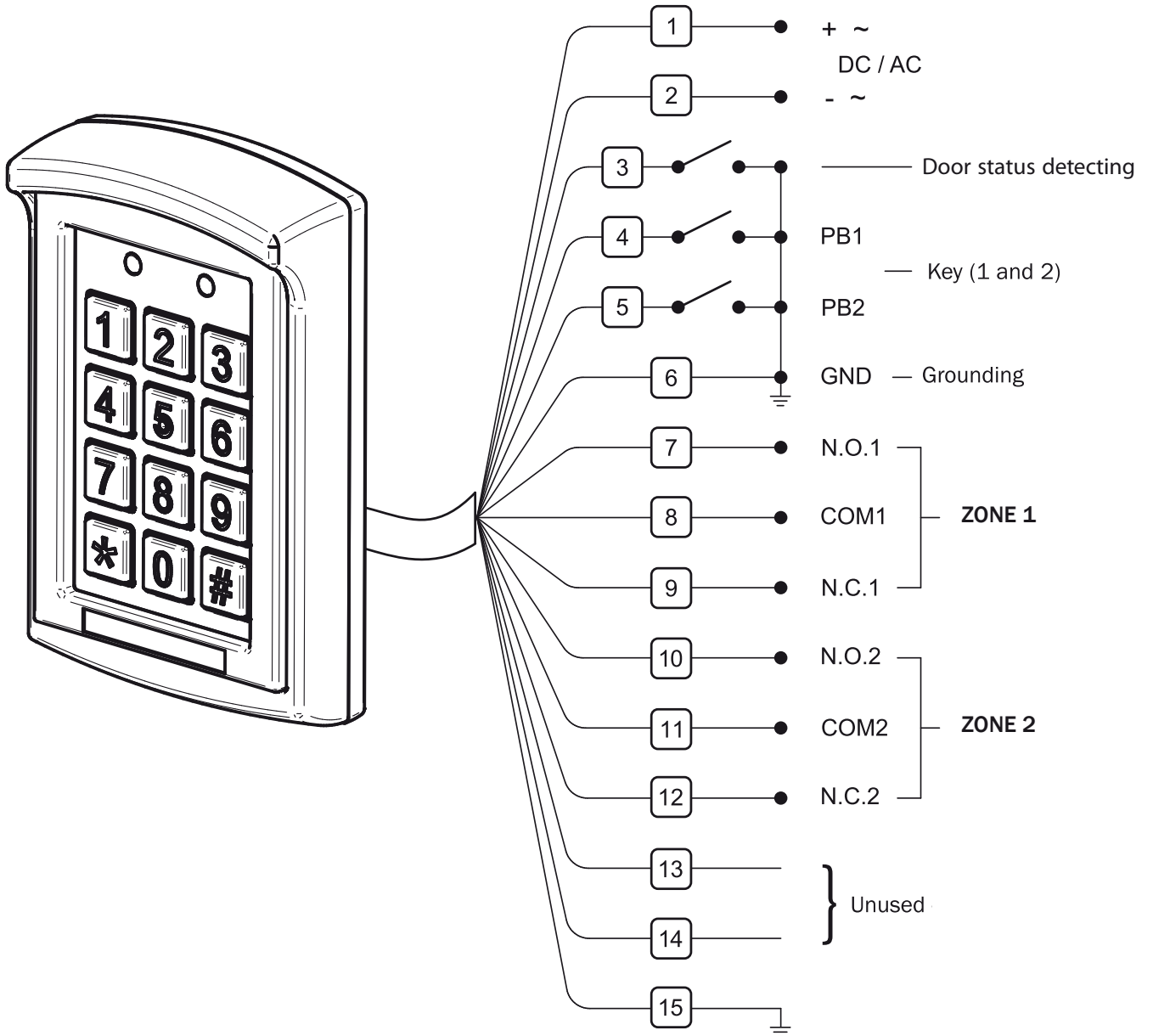


N°	Description
1	Screw
2	Screw anchors
3	Torx screw
4	System wiring

**3**



N°	Description
1	Screw
2	Screw anchors
3	Torx screw
4	System wiring



N°	Color of wires	Description	
1	Red	DC input: +12V - +24V AC input : ~ 12V - 24V	
2	Black		
3	Brown	Door status detecting	
4	Orange	ZONE 1 activation key	
5	Yellow	ZONE 2 activation key	
6	Green	Grounding	
7	White	N.O. 1	ZONE 1
8	Pink	COM 1	
9	Light green	N.C. 1	
10	Blue	N.O. 2	ZONE 2
11	Purple	COM 2	
12	Gray	N.C. 2	
13	Black/White	Unused	
14	Brown/White		
15	Silver (shield)	Shielded ground	



[deasystem.com](http://deasystem.com)