

REV

Automation for industrial sliding gates
up to 1400 kg



For collective and
industrial usage



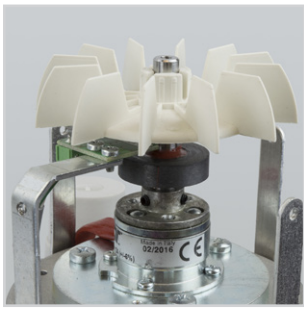
Available in 230V and 24V



Range of irreversible or
reversible motors in an oil
bath



REV

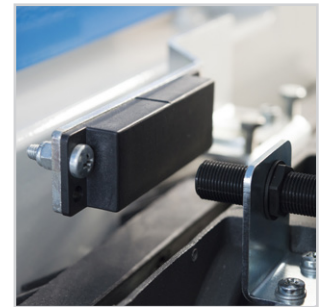


Additional fan ventilation (230V versions), with magnetic encoder

Control board positioned in a lifted position at the front. Always accessible and perfect for small or narrow spaces



Models available with magnetic limit switches



The reversible models of this operator allow the manual movement of the gate without having to unlock the motor and satisfy some safety measures typical of installations in public contexts.

The DE@NET universal control board makes this operator compatible with NETLINK System.



Compatible with NETCOM, the device for installation maintenance and remote control management!



NETCOM

Compatible with IRONBOX and IRONBOX/XS vandal-proof box for installations in challenging or industrial environments





Models

230V ~ operators with control board, limit switches and encoder



COD.	Art.					OTHER CHARACTERISTICS
616000	REV220	1400 kg*		NET230N	✓	<ul style="list-style-type: none"> • Self-locking with limit switches • Speed adjustment and slow down in opening and closing • Motor control by encoder and obstacle detection
616003	REV220/M	1400 kg*		NET230N	✓	<ul style="list-style-type: none"> • Self-locking • Magnetic limit switches • Speed adjustment and slow down in opening and closing • Motor control by encoder and obstacle detection
616001	REV220/RF	1400 kg*		NET230N	✓	<ul style="list-style-type: none"> • Not self-locking with brake in opening and closing • Limit switches • Oil bath • Speed adjustment and slow down in opening and closing • Motor control by encoder and obstacle detection
616004	REV220/ RFM	1400 kg*		NET230N	✓	<ul style="list-style-type: none"> • Not self-locking with brake in opening and closing • Magnetic limit switches • Oil bath • Speed adjustment and slow down in opening and closing • Motor control by encoder and obstacle detection

All models have (IB version excluded): control board and fixing plate to be cemented included

* If using an oversized pinion art. Z22, the maximum weight of the leaf should be reduced by 30%

24V = operators with control board and limit switches

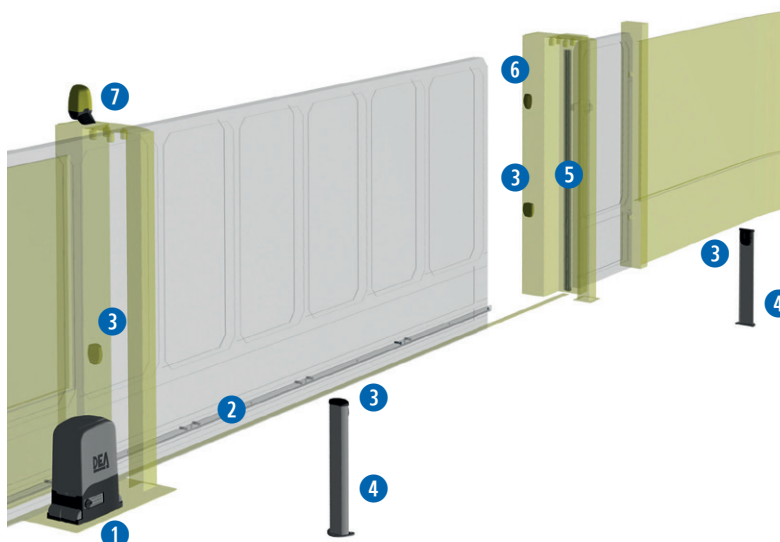


COD.	Art.				OTHER CHARACTERISTICS
616011	REV24/F	1400 kg*		NET24N	<ul style="list-style-type: none"> • Self-locking with limit switches • Speed adjustment and slow down in opening and closing
616012	REV24/M	1400 kg*		NET24N	<ul style="list-style-type: none"> • Self-locking • Magnetic limit switches • Speed adjustment and slow down in opening and closing

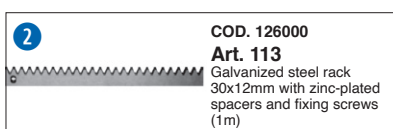
All models have (IB version excluded): control board and fixing plate to be cemented included

* If using an oversized pinion art. Z22, the maximum weight of the leaf should be reduced by 30%

Example of a typical installation



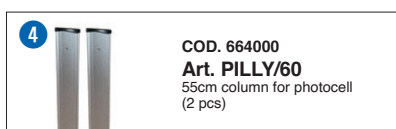
COD. 616000
Art. REV220
Operator for collective sliding gates



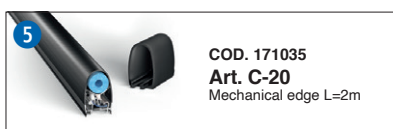
COD. 126000
Art. 113
Galvanized steel rack 30x12mm with zinc-plated spacers and fixing screws (1m)



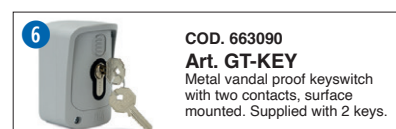
COD. 662080
Art. LINEAR/XS
Pair of mini synchronizable photocell for outdoor installation. Maximum range 20m



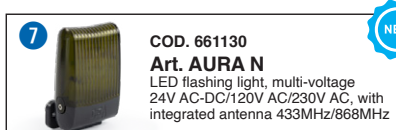
COD. 664000
Art. PILLY/60
55cm column for photocell (2 pcs)



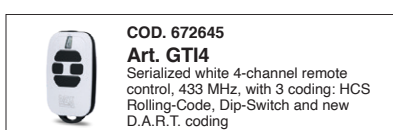
COD. 171035
Art. C-20
Mechanical edge L=2m



COD. 663090
Art. GT-KEY
Metal vandal proof keyswitch with two contacts, surface mounted. Supplied with 2 keys.



COD. 661130
Art. AURA N
LED flashing light, multi-voltage 24V AC-DC/120V AC/230V AC, with integrated antenna 433MHz/868MHz

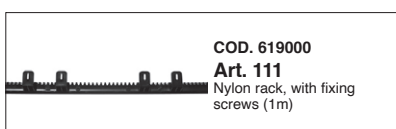


COD. 672645
Art. GTI4
Serialized white 4-channel remote control, 433 MHz, with 3 coding: HCS Rolling-Code, Dip-Switch and new D.A.R.T. coding

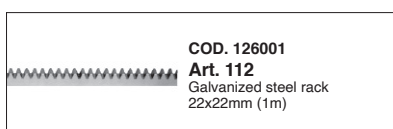


COD. 668010
Art. 127
Warning sign

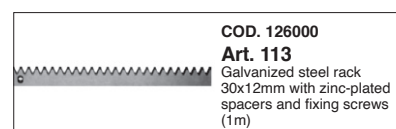
Specific accessories



COD. 619000
Art. 111
Nylon rack, with fixing screws (1m)



COD. 126001
Art. 112
Galvanized steel rack 22x22mm (1m)



COD. 126000
Art. 113
Galvanized steel rack 30x12mm with zinc-plated spacers and fixing screws (1m)



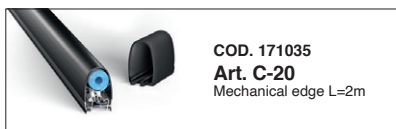
COD.619041
Art. 451
Unlocking device kit for REV (4,5m). To be used in connection with BLINDOS



COD. 665000
Art. BLINDOS
Aluminium safety enclosure, with European cylinder, ready for unlocking device by cable.



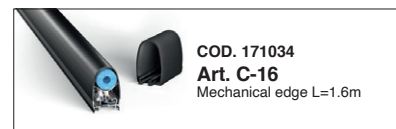
COD. 672920
Art. D-BAND KIT
Wireless transmitter and receiver kit in 868 MHz, for resistive or mechanical safety edges



COD. 171035
Art. C-20
Mechanical edge L=2m



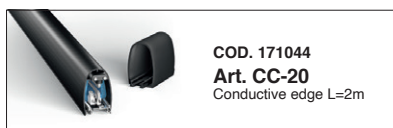
COD. 171039
Art. CR-20
Safety resistive edge L=2m according to EN12978



COD. 171034
Art. C-16
Mechanical edge L=1.6m



COD. 171040
Art. CR-25
Safety resistive edge L=2.5m in compliance with EN12978



COD. 171044
Art. CC-20
Conductive edge L=2m



COD. 667053
Art. SOFT3
Safety rubber profile (complete with aluminium base) useful to reduce the impact forces for sliding and swing gates (12m)



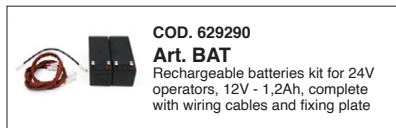
COD. 360674
Art. Pignone Z15/IB
Galvanized pinion for IRONBOX M=4 Z=15 Øe=68mm h=60mm



COD. 360412
Art. Pignone Z18/IB
Galvanized pinion for IRONBOX M=4 Z=18 Ø=80mm h=60mm



COD. 619090
Art. Pignone Z22*
Oversized pinion for REV M=4 Z=22 Ø=96mm h=30mm



COD. 629290
Art. BAT
Rechargeable batteries kit for 24V operators, 12V - 1,2Ah, complete with wiring cables and fixing plate

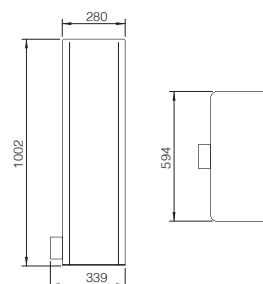
* If using an oversized pinion art. Z22, the maximum weight of the leaf should be reduced by 30%

MAG

IRONBOX

cod. 619080

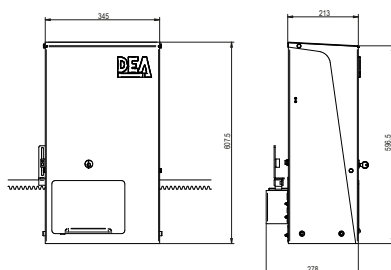
RAL 9006 painted steel vandal-proof box (Colour: RAL 9006) for REV (IB models) with magnetic limit switch (code 619070) and foundation plate.



IRONBOX/XS

cod. 619100

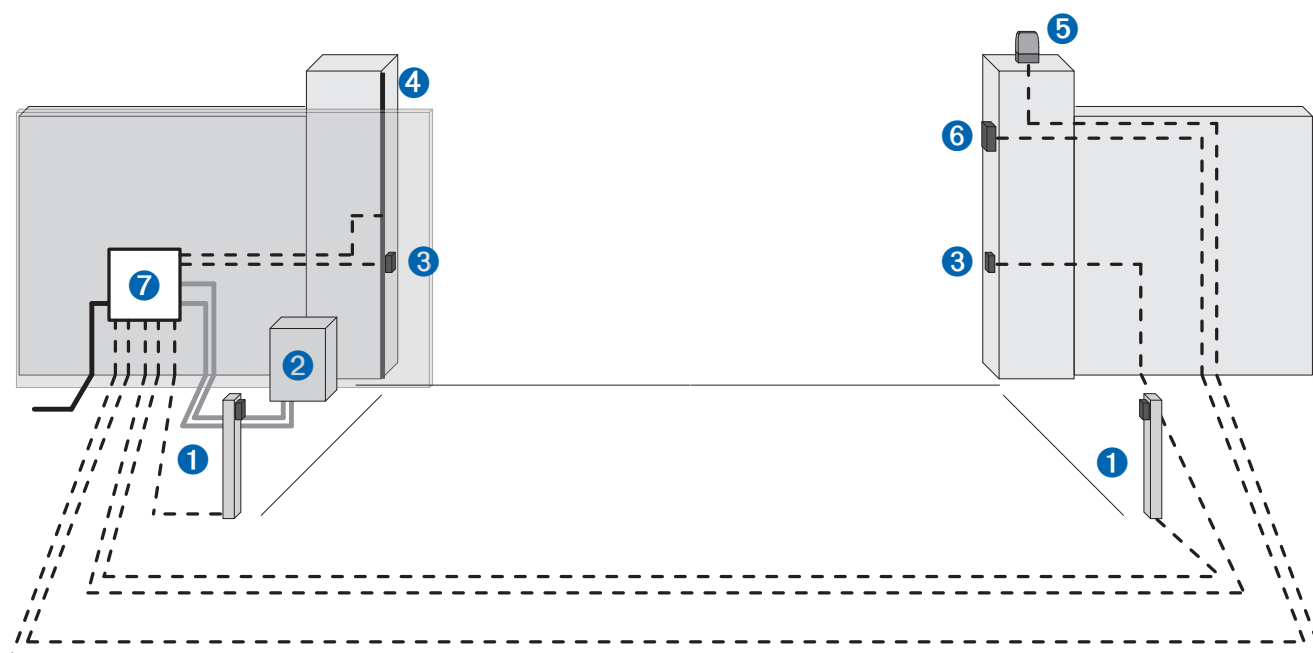
Painted steel vandal-proof box (Colour: Grey MICA P3-197 and RAL 9006) for REV (models IB) with magnetic limit switch (code 619070) and foundation plate.



Technical info

	REV220 - REV220/M REV220/IB	REV220/RF - REV220/RFM REV220/RF/IB	REV24/F - REV24/M REV24/IB
Motor power supply (V)	230V ~ ± 10 % (50/60 Hz)		24V =
Maximum power absorption (W)	500		250
Max thrust (N)	900	1200	450
Duty cycle (cycles/hours) for an 8m leaf length	27 for gates up to 1000kg 22 for gates up to 1400kg		36 for gates up to 1000kg 31 for gates up to 1400kg
N. max. cycles in 24h. for an 8m leaf length	270 for gates up to 1000kg 220 for gates up to 1400kg	300 for gates up to 1000kg 250 for gates up to 1400kg	
Built-in capacitor (µF)	14	12,5	\
Operating temperature (°C)	-20 ÷ 50		
Motor thermal protection (°C)	150		\
Speed (m/min)	10		12
Standard pinion	Z18	Z15	Z18
Weight with packing (Kg)	18		
Sound pressure (dBA)	< 70		
Protection level	IPX4 (IP44 with magnetic limit switches)		

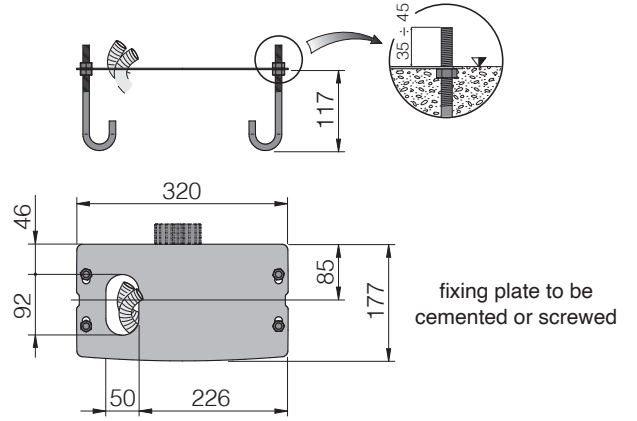
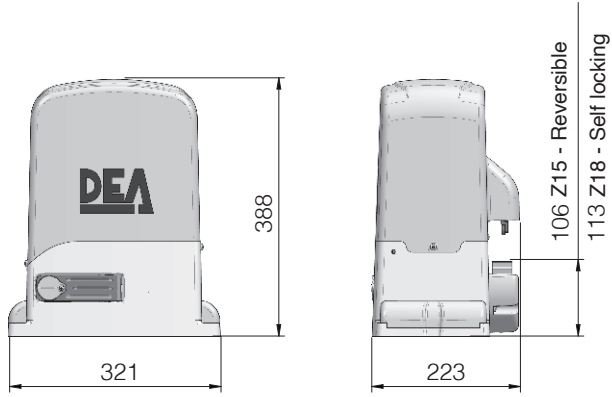
Wiring



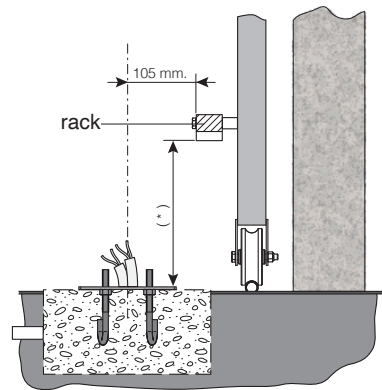
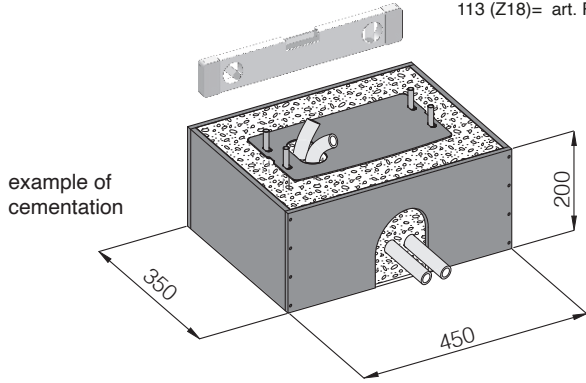
- Corrugated pipe for power supply cable
- - - Ø40 corrugated pipe for connection between the control board and the junction box
- · · Ø20 corrugated pipe or external PVC conduit for connection between the control board and the command and safety accessories

- | pos. | description |
|------|-----------------------|
| 1 | Column with photocell |
| 2 | Operator |
| 3 | Photocells |
| 4 | Safety edge |
| 5 | Flashing light |
| 6 | Keyswitch / Digikey |
| 7 | Junction box |

Dimensions



106 (Z15)= art. REV220/RF - REV220RFM
 113 (Z18)= art. REV220 - REV220/M



*

Z15 - Reversible	100 mm
Z18 - Self locking	106 mm



DEAuser



DEAuser is the app for **private users** that allows activation of automation at **close proximity** via Bluetooth.

By installing the NET-NODE on all devices with NETLINK technology, users can control their automations through their smart devices.

To be used with:



Art.NET-NODE 2.0
Cod. 677642



DEAinstaller



DEAinstaller is the App dedicated to the **professional installer** and allows Installers to program and manage DEA automations on-site in a simple and intuitive way from their smart devices.

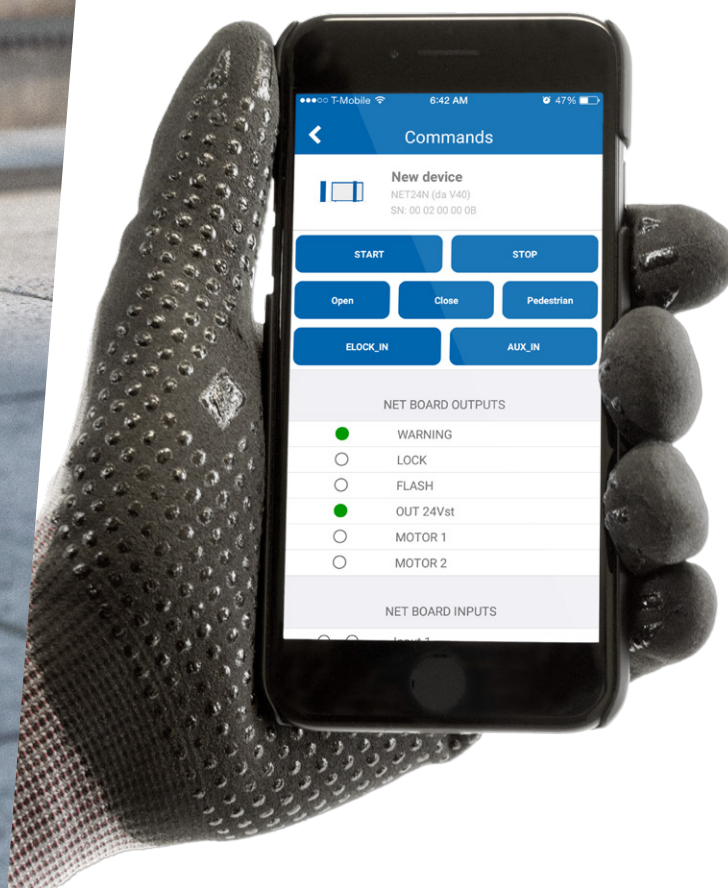
If you use it with the NET-NODE you can:

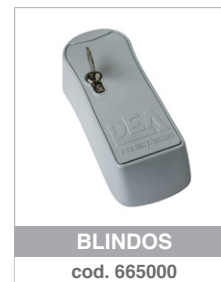
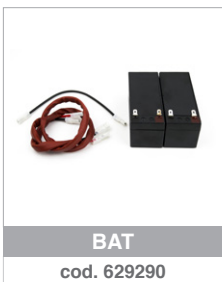
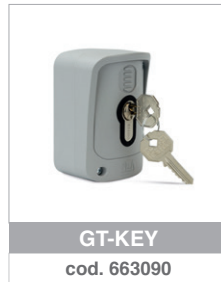
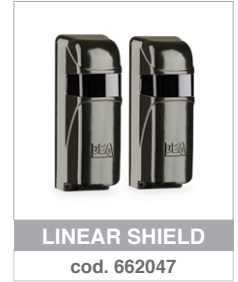
- ✓ keep a **data backup** of all installations
- ✓ easily adjust the **parameters** of control boards
- ✓ update the **firmware**
- ✓ program the **maintenance**
- ✓ manage or customise the **remotes**
- ✓ read **technical manuals** or have a look at the **electrical connections**
- ✓ control the **inputs** and **output** of the control boards
- ✓ **control** the automation with the App

To be used with:



Art.NET-NODE 2.0
Cod. 677642





#safeasyoulike!

Non-copyable remotes!

GTI remotes are multi-function. They have three coding possibilities: DIP SWITCH, Rolling Code and D.A.R.T. the new DEA advanced coding.

You can customise the code of the remotes to guarantee the maximum security to your customer.

- D.** DEA
- A.** Advanced
- R.** Rolling Code
- T.** Transmission

Looking for **total safety**?
With **NET-BOX** each installer can customise the code of your GTI remotes.



#colourasyoulike!

Choose your favorite colour!

GTI remotes can be customised with button kits in seven colours: green, light green, blue, pink, yellow, orange and purple.

- GREEN
- LIGHT GREEN
- BLUE
- PINK
- YELLOW
- ORANGE
- PURPLE



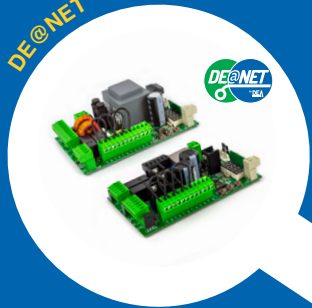
Note: button kits are supplied in packs of 5. The remote must be ordered separately.



NETLINK

is our technology applied to DEA devices for the smart management of your installations, both **locally** and **remotely**.

DE@NET



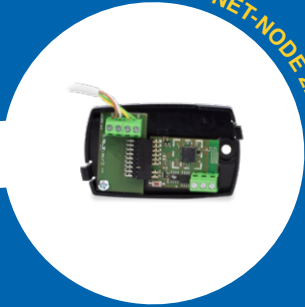
One control board for all our motors, available in 230V and 24V versions.

NET-COM



The device for the managing installations remotely.

NET-NODE-2.0



The device for managing installations locally.

NET-BOX



The device for managing remotes from your office.

DEA User & DEA Installer



DEAinstaller:
the App for creating and managing each installation directly from your smartphone.



DEAuser:
the App for opening and closing your DEA gate with just one touch, locally.

Our range

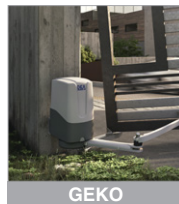
Automations for sliding gates



Automations for sectional doors



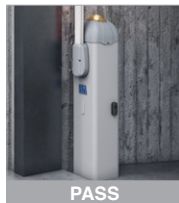
Automations for swing gates



Automations for industrial gates



Barriers



Bollards

