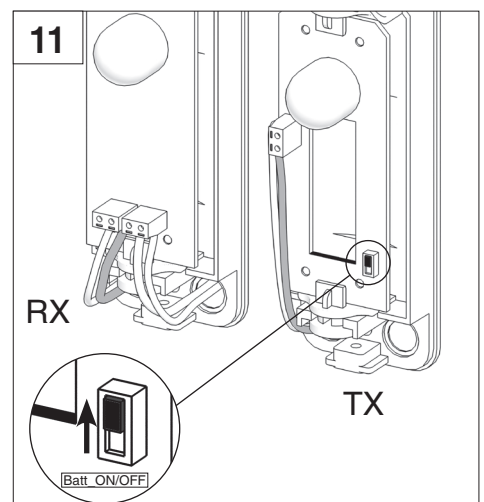
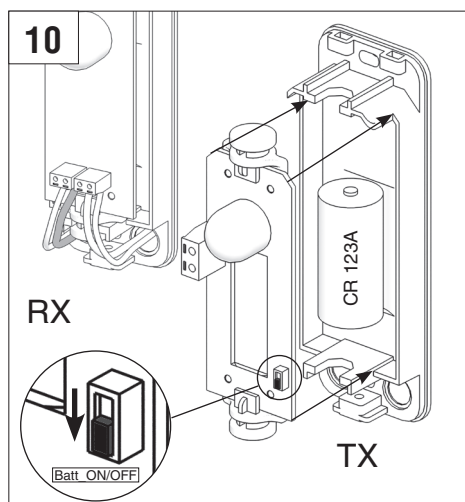
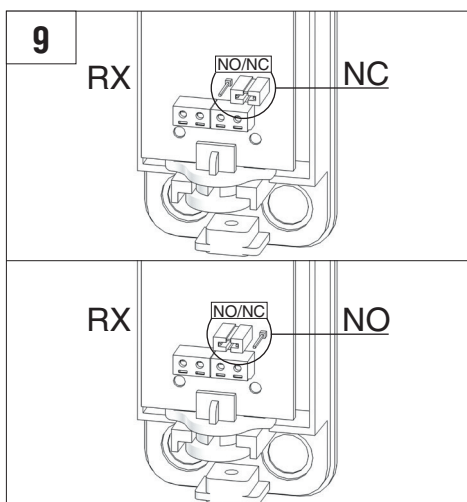
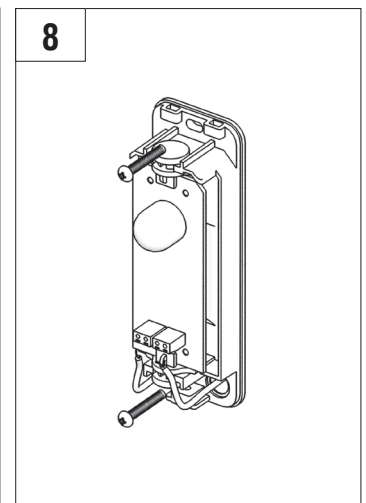
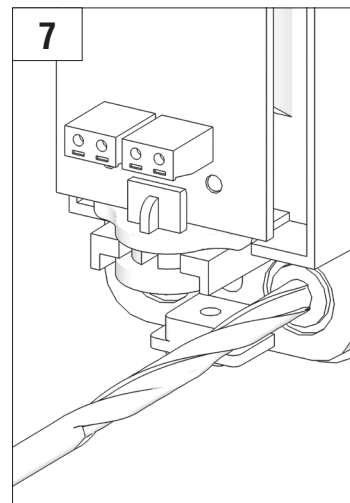
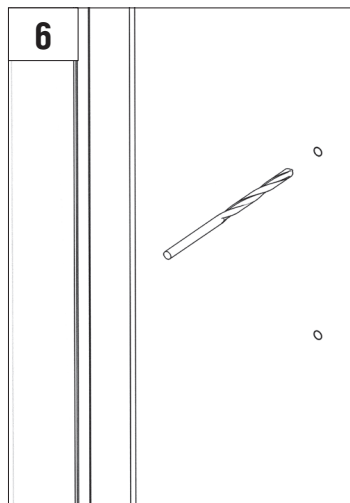
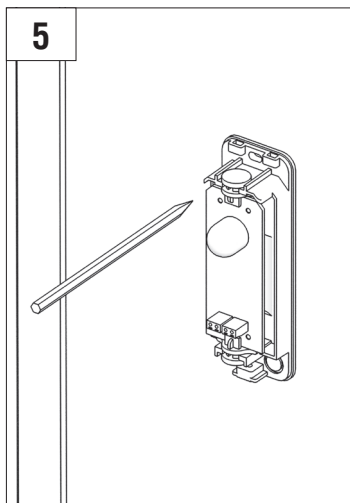
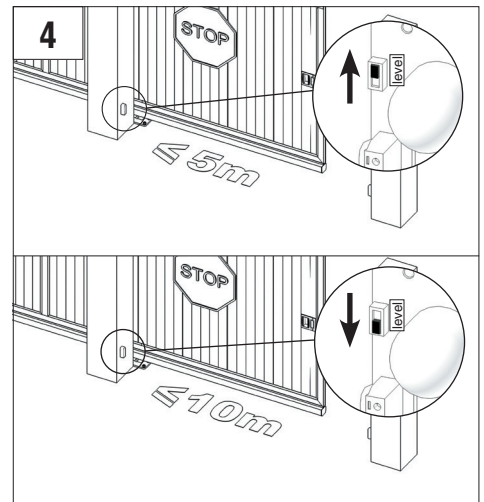
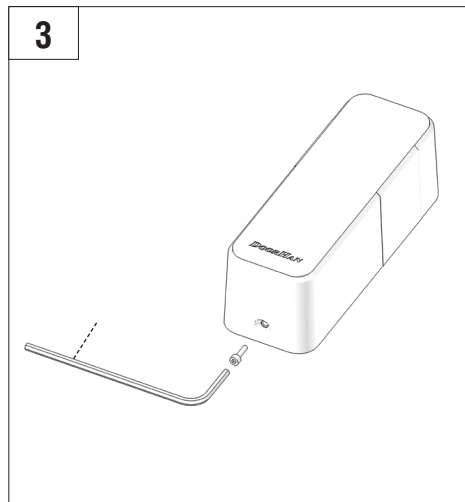
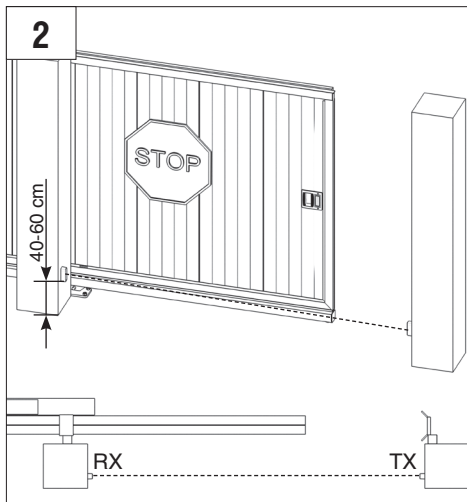
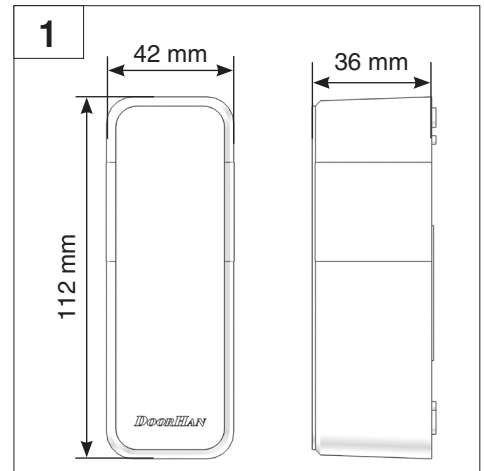
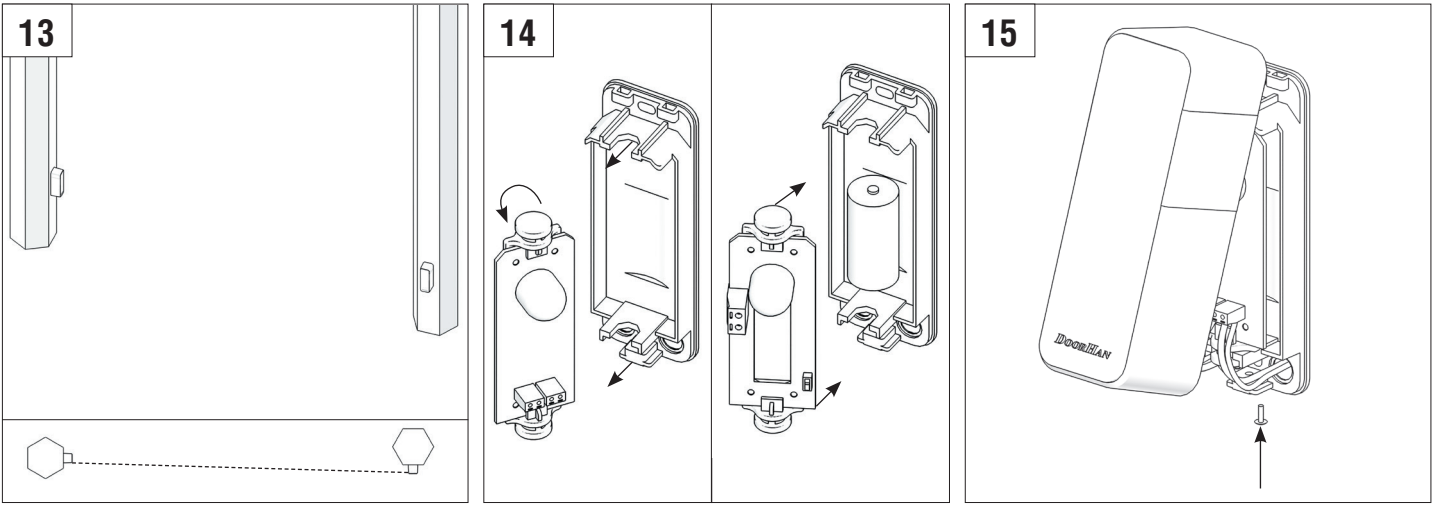


Characteristics	Value
Working distance	≤10* m
Supply voltage	12...24 V DC
Wave length	940 nm
Current consumption reciver (RX)	< 30 mA
Transmitter battery (voltage, type)	3 V CR 123A
Angle of self-tuning	
From the battery	±7° (10 m)
From the control board	±13° (10 m)
Operating temperature	-20...+60 °C
Relay output	HO/H3 NO/NC

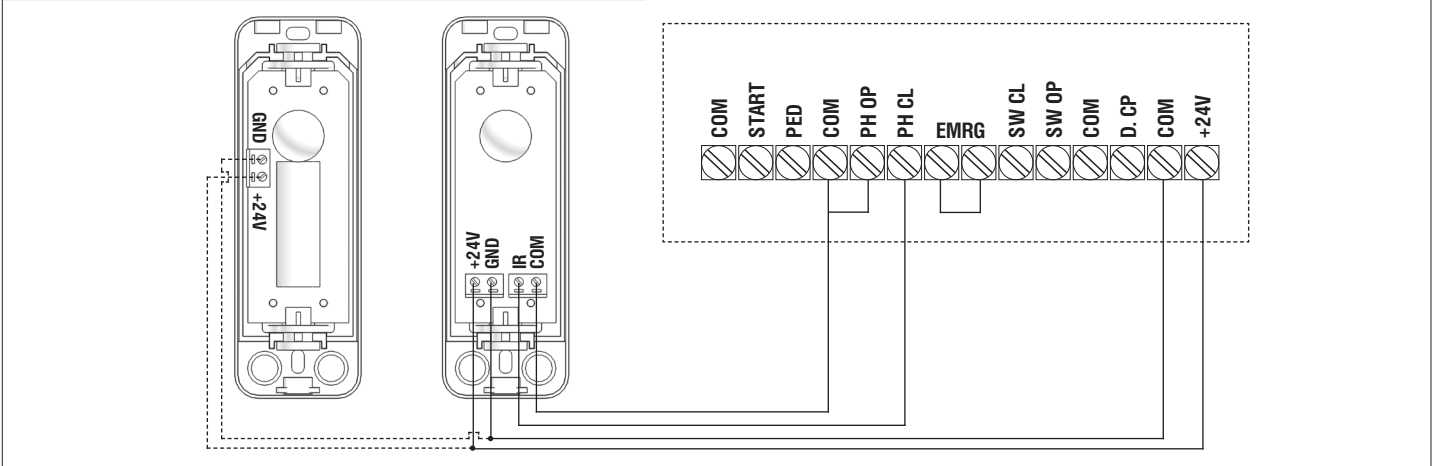
* 10 m supposed for stable work the distance can be reduced by 30 % with bad weather conditions: fog, rain, dust.





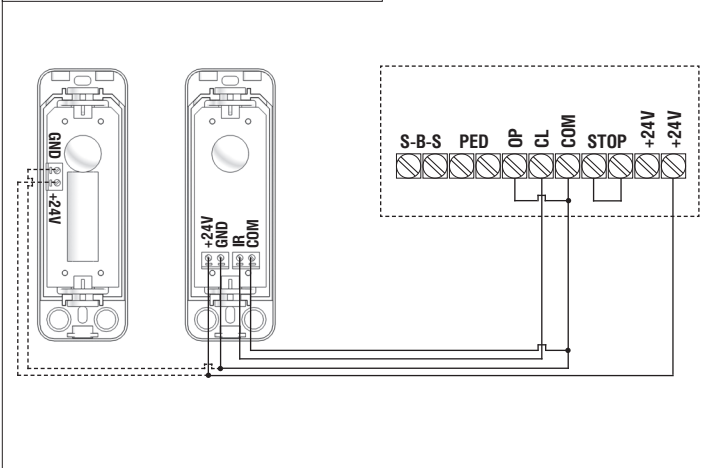
BARRIER N, BARRIER PRO, SLIDING 500/800/1300PRO/2100

PCB-SL



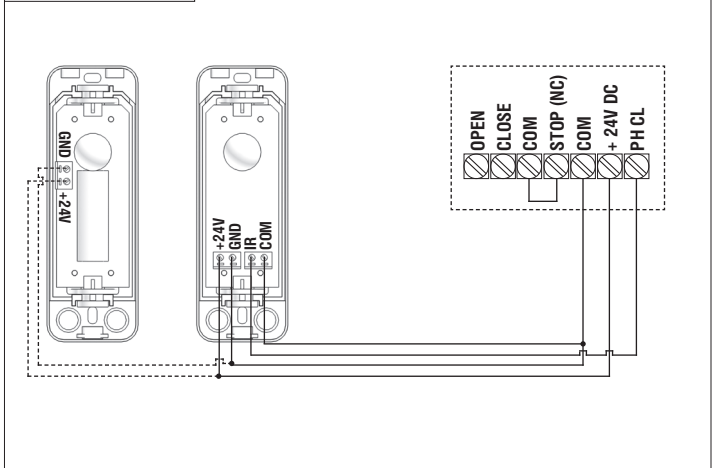
SWING 2500/3000/5000, ARM 320

PCB-SW



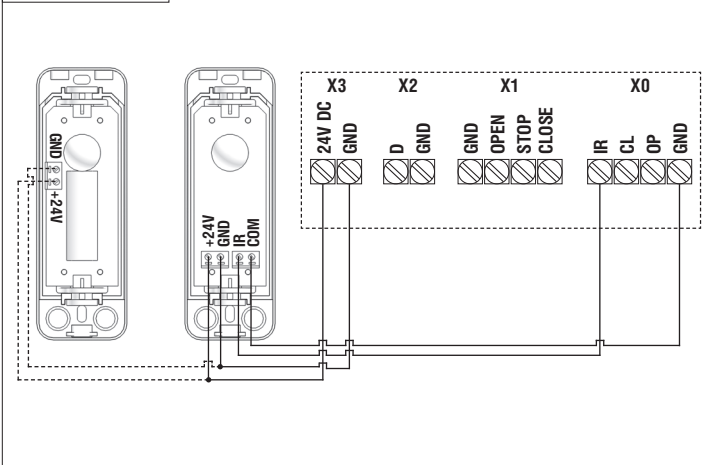
SHAFT 20/30/50

PCB-SH



SHAFT 60/120

PCB-SH380



SECTIONAL 800PRO/1000PRO/1200

PCB-SE

